



**Port of
Antwerp**
Community System

e-Desk Status Report

IFTSTA

MESSAGE IMPLEMENTATION GUIDE

Antwerp Port Community System (APCS)

Brouwersvliet 33, 2000 Antwerpen, België

T +32 3 303 28 22

E apcs@portofantwerp.com, www.portofantwerp.com/apcs

Version history

Version	Date	Author	Remarks
1.0	October 1, 2015	Nico De Cauwer	Document creation

Table of content

1	General.....	4
2	e-Desk Status Report.....	5
2.1	General structure	5
2.2	Message Header (UNH)	6
2.2.1	Diagram	6
2.2.2	Field description	6
2.2.3	MessageIdentifier	6
2.3	Beginning of Message (BGM).....	8
2.3.1	Diagram	8
2.3.2	Field description	8
2.3.3	DocumentMessageName.....	8
2.3.4	DocumentMessageIdentification.....	9
2.4	Date/Time/Period (DTM).....	10
2.4.1	Diagram	10
2.4.2	Field description	10
2.5	Group Name And Address (GRP 1).....	11
2.5.1	Diagram	11
2.5.2	Field description	11
2.5.3	NameAndAddress	11
2.6	Group Consignment Information (GRP 4).....	13
2.6.1	Field description	13
2.6.2	ConsignmentInformation	13
2.6.3	ControlTotal	14
2.7	Group Status (GRP 5)	16
2.7.1	Field description	16
2.7.2	Status	17
2.7.3	DateTimePeriod	18
2.7.4	FreeText.....	19
2.8	Group Equipment Details (GRP 10)	21
2.8.1	Field description	21
2.8.2	EquipmentDetails.....	21
2.9	Group Place/Location Identification (GRP 11)	23
2.9.1	Diagram	23
2.9.2	Field description	23
2.9.3	PlaceLocationIdentification	24
2.9.4	DateTimePeriod	25
3	Examples.....	27
3.1	Example 1: message reporting an exit confirmation by Customs	27
3.2	Example 2: message reporting a container arrived on terminal	28
3.3	Example 3: message reporting a vehicle departed from terminal	30

1 General

The Antwerp Port community System (APCS) provides a service to report certain events that occur in the export and transit movements of containers or vehicles.

Export and transit movements of cargo are reported via the APCS application e-Desk.

This service is called the e-Desk Status Report, where each event is reported through a status message. The message is based upon the UN/ECE standard message IFTSTA (International multimodal status report message), a message to report the transport status and/or change in the transport status, i.e. event, between agreed parties.

The format of the e-Desk Status Report is XML, but the used segments and elements are based upon the international edi-standards who are in place for both EDIFACT- and XML-structure.

This document describes the different components of the service.

Events that are reported via this process are :

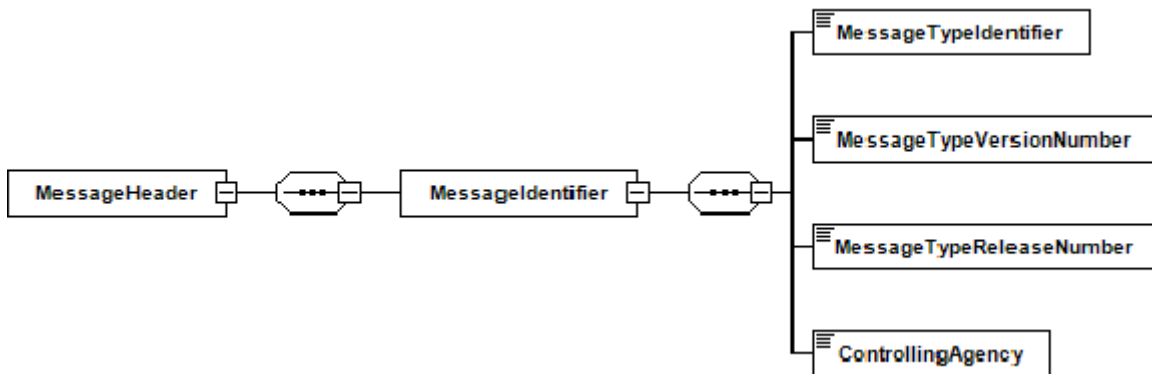
- cargo, i.e. containers or vehicles, registered in the e-Desk application that arrives on a terminal,
- cargo, i.e. containers or vehicles, registered in the e-Desk application that leaves a terminal,
- MRN-documents where an exit confirmation from Customs is received.

2.2 Message Header (UNH)

The message header is a service segment starting and uniquely identifying a message. The message type code for this e-Desk Status Report is based on the International multimodal status report message, IFTSTA.

This segment in the XSD-schema is of type STypeMessageHeader.

2.2.1 Diagram



2.2.2 Field description

Element Name:	MessageIdentifier		
Description:	Identification of the type, version, etc. of the message being interchanged.		
xPath:	IFTSTA/MessageHeader/MessageIdentifier		
Occurrence:	Minimum: 1	Maximum: 1	Mandatory
Length & Type:	-	-	<i>xs:complexType</i>

2.2.3 MessageIdentifier

Element Name:	MessageTypeIdentifier		
Description:	Code identifying a type of message and assigned by its controlling agency.		
xPath:	IFTSTA/MessageHeader/MessageIdentifier/MessageTypeIdentifier		
Occurrence:	Minimum: 1	Maximum: 1	Mandatory
Length & Type:	Minimum: 1	Maximum: 6	<i>xs:string</i>
Value:	IFTSTA		

Element Name:	MessageTypeVersionNumber		
Description:	Version number of the IFTSTA message.		
xPath:	IFTSTA/MessageHeader/MessageIdentifier/MessageTypeVersionNumber		
Occurrence:	Minimum: 1	Maximum: 1	Mandatory
Length & Type:	Minimum: 1	Maximum: 3	<i>xs:string</i>

Value:	D
--------	---

Element Name:	MessageTypeReleaseNumber		
Description:	Release number within the IFTSTA message version D.		
xPath:	IFTSTA/MessageHeader/MessageIdentifier/MessageTypeReleaseNumber		
Occurrence:	Minimum: 1	Maximum: 1	Mandatory
Length & Type:	Minimum: 1	Maximum: 3	<i>xs:string</i>
Value:	03A		

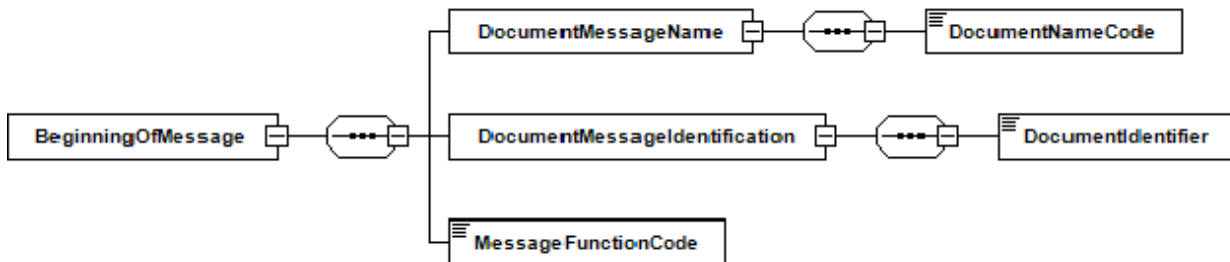
Element Name:	ControllingAgency		
Description:	Code identifying the controlling agency		
xPath:	IFTSTA/MessageHeader/MessageIdentifier/ControllingAgency		
Occurrence:	Minimum: 1	Maximum: 1	Mandatory
Length & Type:	Minimum: 1	Maximum: 3	<i>xs:string</i>
Value:	UN		

2.3 Beginning of Message (BGM)

Segment indicating the beginning of a message and identifying the consignment for which a status is being reported.

This segment in the XSD-schema is of type `STypeBeginningOfMessage`.

2.3.1 Diagram



2.3.2 Field description

Element Name:	DocumentMessageName		
Description:	Identification of a type of document/message by code or name.		
xPath:	/Envelope/Body/ IFTSTA/BeginningOfMessage/DocumentMessageName		
Occurrence:	Minimum: 1	Maximum: 1	Mandatory
Length & Type:	-	-	<i>xs:complexType</i>

Element Name:	DocumentMessageIdentification		
Description:	Identification of a document/message by its number.		
xPath:	/Envelope/Body/ IFTSTA/BeginningOfMessage/DocumentMessageIdentification		
Occurrence:	Minimum: 1	Maximum: 1	Mandatory
Length & Type:	-	-	<i>xs:complexType</i>

Element Name:	MessageFunctionCode		
Description:	Code indicating the function of the message.		
xPath:	IFTSTA/BeginningOfMessage/MessageFunctionCode		
Occurrence:	Minimum: 1	Maximum: 1	Mandatory
Length & Type:	Minimum: 1	Maximum: 3	<i>xs:string</i>
Value:	9 (original)		

2.3.3 DocumentMessageName

Element Name:	DocumentNameCode		
Description:	Code specifying the document name.		
xPath:	IFTSTA/BeginningOfMessage/DocumentMessageName/DocumentNameCode		

Occurrence:	Minimum: 1	Maximum: 1	Mandatory
Length & Type:	Minimum: 1	Maximum: 3	<i>xs:string</i>
Value:	77 (<i>Consignment status report</i>)		

2.3.4 DocumentMessageIdentification

Element Name:	DocumentIdentifier		
Description:	Unique identifier/message number to identify a document/message.		
xPath:	IFTSTA/BeginningOfMessage/DocumentMessageIdentification/DocumentIdentifier		
Occurrence:	Minimum: 1	Maximum: 1	Mandatory
Length & Type:	Minimum: 1	Maximum: 35	<i>xs:string</i>
Value:	Variable; a unique sequence number to identify the status report message.		

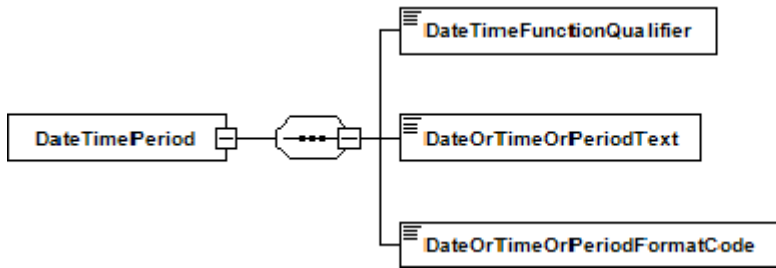
2.4 Date/Time/Period (DTM)

Date and/or time, or period relevant to the specified date/time/period type.

This segment contains the date and time the message was processed to the message receiver.

This segment in the XSD-schema is of type STypeDateTimePeriod.

2.4.1 Diagram



2.4.2 Field description

Element Name:	DateTimeFunctionQualifier		
Description:	Code qualifying the function of a date, time or period.		
xPath:	IFTSTA/DateTimePeriod/DateTimeFunctionQualifier		
Occurrence:	Minimum: 1	Maximum: 1	Mandatory
Length & Type:	Minimum: 1	Maximum: 3	<i>xs:string</i>
Value:	9 (Processing date/time)		

Element Name:	DateOrTimeOrPeriodText		
Description:	The value of the date and time in the specified representation (see DateOrTimeOrPeriodFormatCode); contains the date and time the message was created (processed).		
xPath:	IFTSTA/DateTimePeriod/DateOrTimeOrPeriodText		
Occurrence:	Minimum: 1	Maximum: 1	Mandatory
Length & Type:	Minimum: 1	Maximum: 35	<i>xs:string</i>
Value:	Variable		

Element Name:	DateOrTimeOrPeriodFormatCode		
Description:	Code specifying the representation of the date and time.		
xPath:	IFTSTA/DateTimePeriod/DateOrTimeOrPeriodFormatCode		
Occurrence:	Minimum: 1	Maximum: 1	Mandatory
Length & Type:	Minimum: 1	Maximum: 3	<i>xs:string</i>
Value:	203 (notation: CCYYMMDDHHMM)		

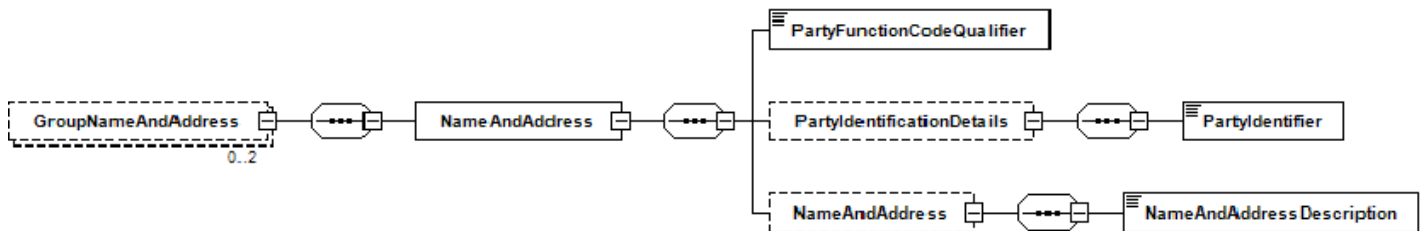
2.5 Group Name And Address (GRP 1)

Segment group 1.

Holds all the information about the name/address of the parties concerned.

This group can occur 2 times: one time to identify the sender of the message, one time to identify the receiver.

2.5.1 Diagram



2.5.2 Field description

Element Name:	NameAndAddress		
Description:	Segment identifying the parties concerned, being the sender and the receiver of the status report message.		
xPath:	IFTSTA/GroupNameAndAddress/NameAndAddress		
Occurrence:	Minimum: 1	Maximum: 1	Mandatory
Length & Type:	-	-	<i>tns:STypeNameAndAddress</i>

2.5.3 NameAndAddress

Element Name:	PartyFunctionCodeQualifier		
Description:	Code giving specific meaning to a party.		
xPath:	IFTSTA/GroupNameAndAddress/NameAndAddress/PartyFunctionCodeQualifier		
Occurrence:	Minimum: 1	Maximum: 1	Mandatory
Length & Type:	Minimum: 1	Maximum: 3	<i>xs:string</i>
Value:	Possible value are : <ul style="list-style-type: none"> • MS (<i>Message sender</i>) • MR (<i>Message recipient</i>) 		

Element Name:	PartyIdentificationDetails		
Description:	Identification of a transaction party by code.		
xPath:	IFTSTA/GroupNameAndAddress/NameAndAddress/PartyIdentificationDetails		
Occurrence:	Minimum: 0	Maximum: 1	Optional
Length & Type:	-	-	<i>xs:complexType</i>

Element Name:	NameAndAddress		
Description:	Unstructured name of the message recipient		
xPath:	IFTSTA/GroupNameAndAddress/NameAndAddress/NameAndAddress		
Occurrence:	Minimum: 0	Maximum: 1	Optional
Length & Type:	-	-	<i>xs:complexType</i>

2.5.3.1 PartyIdentificationDetails

Element Name:	PartyIdentifier		
Description:	Code specifying the identity of a party.		
xPath:	IFTSTA/GroupNameAndAddress/NameAndAddress/PartyIdentificationDetails/PartyIdentifier		
Occurrence:	Minimum: 1	Maximum: 1	Mandatory
Length & Type:	Minimum: 1	Maximum: 35	<i>xs:string</i>
Value:	In case PartyFunctionCodeQualifier = MS then this element contains the fixed value "APCS". In case PartyFunctionCodeQualifier = MR then this element contains the DUNS-number, EORI-number or APCS-code of the company who's receiving the message.		

2.5.3.2 NameAndAddress

This element is only used for the message recipient (PartyFunctionCodeQualifier = MR). It is not used for the message sender, in that case only the PartyIdentifier "APCS" is used.

Element Name:	NameAndAddressDecription		
Description:	Free form description of the company name of the message recipient.		
xPath:	IFTSTA/GroupNameAndAddress/NameAndAddress/NameAndAddress/NameAndAddressDescription		
Occurrence:	Minimum: 1	Maximum: 1	Mandatory
Length & Type:	Minimum: 1	Maximum: 35	<i>xs:string</i>
Value:	Variable		

2.6 Group Consignment Information (GRP 4)

Segment group 4.

A group of segments to identify a consignment and status details relating to it.

This group is mandatory and contains maximum 4999 occurrences.

2.6.1 Field description

Element Name:	ConsignmentInformation		
Description:	A segment to identify a consignment for which status details are given.		
xPath:	IFTSTA/GroupConsignmentInformation/ConsignmentInformation		
Occurrence:	Minimum: 1	Maximum: 1	Mandatory
Length & Type:	-	-	<i>tns:STypeConsignmentInformation</i>

Element Name:	ControlTotal		
Description:	A segment to provide a control total for the consignment, the total number of equipment that is reported.		
xPath:	IFTSTA/GroupConsignmentInformation/ControlTotal		
Occurrence:	Minimum: 0	Maximum: 1	Optional
Length & Type:	-	-	<i>tns:STypeControlTotal</i>

Element Name:	GroupStatus		
Description:	A group of segments indicating the status, identifying an event and specifying relevant details.		
xPath:	IFTSTA/GroupConsignmentInformation/GroupStatus		
Occurrence:	Minimum: 1	Maximum: 99	Mandatory
Length & Type:	-	-	<i>xs:complexType</i>

2.6.2 ConsignmentInformation

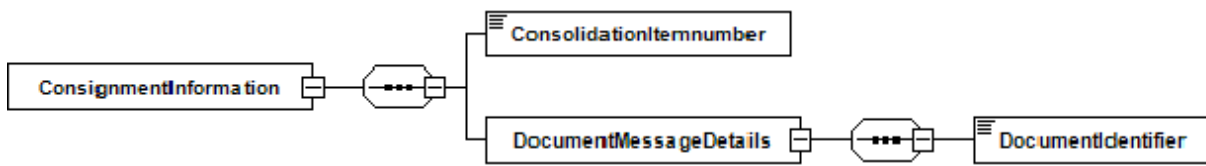
This segment identifies the consignments for which status details are given.

The consignments in this e-Desk Status Report use the MRN-document numbers, used in the e-Desk application, as a basis.

For these MRN-document numbers the event 'exit confirmation by Customs' is reported as a status, as well as the events 'arrival on terminal' and 'departed from terminal'.

With this two last status-events also the corresponding equipments of the MRN-number, containers or vehicles, are reported together with the location/terminal where the event occurred.

2.6.2.1 Diagram



2.6.2.2 Field description

Element Name:	ConsolidationItemNumber		
Description:	To specify a consignment within a consolidation; a sequence number within the given message		
xPath:	IFTSTA/GroupConsignmentInformation/ConsignmentInformation/ConsolidationItemNumber		
Occurrence:	Minimum: 1	Maximum: 1	Mandatory
Length & Type:	Minimum: 1	Maximum: 5	<i>xs:int</i>
Value:	Variable; a sequence number for the consignment within the given message.		

Element Name:	DocumentMessageDetails		
Description:	Identification of the document by number.		
xPath:	IFTSTA/GroupConsignmentInformation/ConsignmentInformation/DocumentMessageDetails		
Occurrence:	Minimum: 1	Maximum: 1	Mandatory
Length & Type:	-	-	<i>xs:complexType</i>

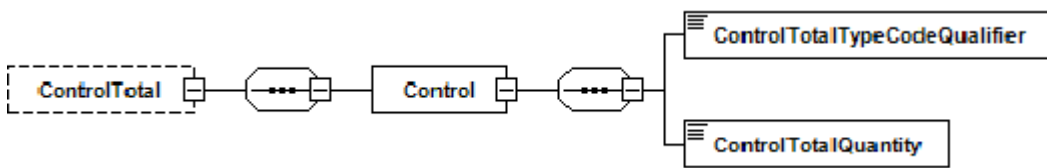
2.6.2.3 DocumentMessageDetails

Element Name:	DocumentIdentifier		
Description:	Specifies the identity of the document, namely the MRN-document number.		
xPath:	IFTSTA/GroupConsignmentInformation/ConsignmentInformation/DocumentMessageDetails/DocumentIdentifier		
Occurrence:	Minimum: 1	Maximum: 1	Mandatory
Length & Type:	Minimum: 1	Maximum: 35	<i>xs:string</i>
Value:	Concatenation of the e-Desk document type and the document number (delimited with "/"); e.g. "EX/15BEE0000038583571".		

2.6.3 ControlTotal

This segment is used to provide a control total for the consignment, namely the total number of equipment that is reported. It is only used when reporting equipment (container or vehicles) that is arrived on or has left the terminal. It is not used when exit confirmation of an MRN-document is reported.

2.6.3.1 Diagram



2.6.3.2 Field description

Element Name:	Control		
Description:	Identification of the document by number.		
xPath:	IFTSTA/GroupConsignmentInformation/ControlTotal/Control		
Occurrence:	Minimum: 1	Maximum: 1	Mandatory
Length & Type:	-	-	<i>xs:complexType</i>

2.6.3.3 Control

A control total for checking the integrity of a message or part of a message.

Element Name:	ControlTotalTypeCodeQualifier		
Description:	Code qualifying the type of control, in this case the total number of equipment (containers or vehicles) mentioned in this consignment/MRN-document.		
xPath:	IFTSTA/GroupConsignmentInformation/ControlTotal/Control/ControlTotalTypeCodeQualifier		
Occurrence:	Minimum: 1	Maximum: 1	Mandatory
Length & Type:	Minimum: 1	Maximum: 3	<i>xs:string</i>
Value:	16 (Total number of equipment).		

Element Name:	ControlTotalQuantity		
Description:	Code qualifying the type of control.		
xPath:	IFTSTA/GroupConsignmentInformation/ControlTotal/Control/ControlTotalQuantity		
Occurrence:	Minimum: 1	Maximum: 1	Mandatory
Length & Type:	Minimum: 1	Maximum: 18	<i>xs:int</i>
Value:	Variable; number representing the total equipment that is reported for in this consignment (MRN-document).		

2.7 Group Status (GRP 5)

Segment group 5.

A group of segments indicating the status and/or identifying an event and specifying relevant details.

It will be used for reporting the following status-events:

- goods arriving on a terminal
- goods leaving a terminal
- exit confirmation of an MRN-document by Customs.

This group is mandatory and contains a maximum of 99 occurrences.

2.7.1 Field description

Element Name:	Status		
Description:	A segment specifying the status relating to a consignment.		
xPath:	IFTSTA/GroupConsignmentInformation/GroupStatus/Status		
Occurrence:	Minimum: 1	Maximum: 1	Mandatory
Length & Type:	-	-	<i>tns:STypeStatus</i>

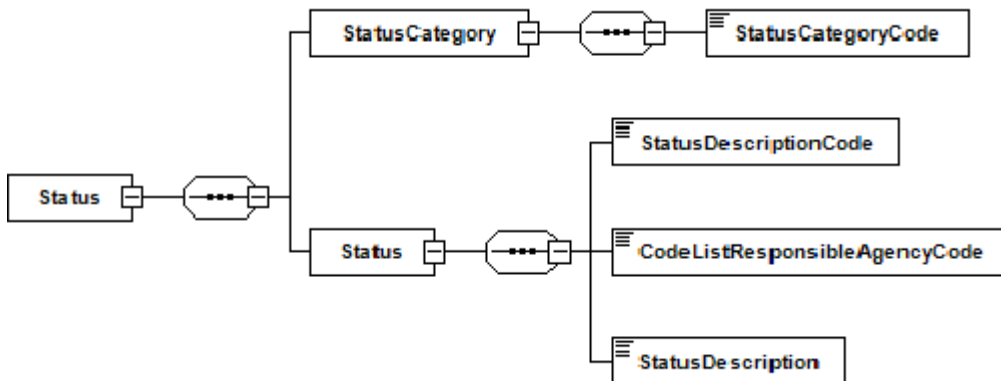
Element Name:	DateTimePeriod		
Description:	A segment indicating the date and time of the specific status or event.		
xPath:	IFTSTA/GroupConsignmentInformation/GroupStatus/DateTimePeriod		
Occurrence:	Minimum: 0	Maximum: 1	Optional
Length & Type:	-	-	<i>tns:STypeDateTimePeriod</i> <i>CNISTS</i>

Element Name:	FreeText		
Description:	A segment specifying additional information relating to the exit confirmation by Customs; this will mention the office of exit for the specific exit confirmation of the MRN-document.		
xPath:	IFTSTA/GroupConsignmentInformation/GroupStatus/FreeText		
Occurrence:	Minimum: 0	Maximum: 1	Optional
Length & Type:	-	-	<i>tns:STypeFreeText</i>

Element Name:	GroupEquipmentDetails		
Description:	A group of segments indicating the equipment details relating to the status or event (only in case of goods arriving or leaving a terminal).		
xPath:	IFTSTA/GroupConsignmentInformation/GroupStatus/GroupEquipmentDetails		
Occurrence:	Minimum: 0	Maximum: 99	Optional
Length & Type:	-	-	<i>xs:complexType</i>

2.7.2 Status

2.7.2.1 Diagram



2.7.2.2 Field description

This segment specifies the status relating to a consignment. It mentions which status or event is reported for the specific MRN-document within the consignment. Reporting is done for goods arriving on or leaving from a terminal, and for the exit confirmation of an MRN-document by Customs which is received by the Antwerp Port Community System.

Element Name:	StatusCategory		
Description:	To specify the category of the status.		
xPath:	IFTSTA/GroupConsignmentInformation/GroupStatus/Status/StatusCategory		
Occurrence:	Minimum: 1	Maximum: 1	Mandatory
Length & Type:	-	-	<i>xs:complexType</i>

Element Name:	Status		
Description:	To specify the status.		
xPath:	IFTSTA/GroupConsignmentInformation/GroupStatus/Status/Status		
Occurrence:	Minimum: 1	Maximum: 1	Mandatory
Length & Type:	-	-	<i>xs:complexType</i>

2.7.2.3 StatusCategory

Element Name:	StatusCategoryCode		
Description:	Code specifying the category of the reported status.		
xPath:	IFTSTA/GroupConsignmentInformation/ControlTotal/Control/ControlTotalQuantity		
Occurrence:	Minimum: 1	Maximum: 1	Mandatory
Length & Type:	Minimum: 1	Maximum: 3	<i>xs:string</i>
Value:	1 (<i>Transport</i>)		

2.7.2.4 Status

Element Name:	StatusDescriptionCode		
Description:	Code specifying the status of the event.		
xPath:	IFTSTA/GroupConsignmentInformation/GroupStatus/Status/Status/StatusDescriptionCode		
Occurrence:	Minimum: 1	Maximum: 1	Mandatory
Length & Type:	Minimum: 1	Maximum: 3	<i>xs:string</i>
Value:	Possible values are : <ul style="list-style-type: none"> • 2 (Done, the instruction has been completed) • 3 (Passed on, the information has been passed on) • 73 (Confirmed, officially acknowledged) Code "2" is used for reporting containers or vehicles arriving on a terminal; Code "3" is used for reporting containers or vehicles leaving a terminal; code "73" is used for the exit confirmation of an MRN-document by Customs.		

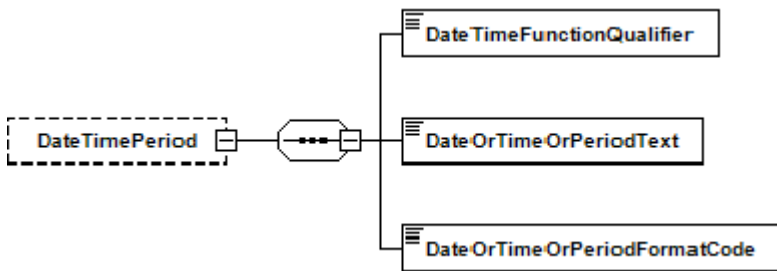
Element Name:	CodeListResponsibleAgencyCode		
Description:	Code specifying the agency responsible for the code list used.		
xPath:	IFTSTA/GroupConsignmentInformation/GroupStatus/Status/Status/CodeListResponsibleAgencyCode		
Occurrence:	Minimum: 1	Maximum: 1	Mandatory
Length & Type:	Minimum: 1	Maximum: 3	<i>xs:string</i>
Value:	6 (UN/ECE)		

Element Name:	StatusDescription		
Description:	Free form description of the reported status		
xPath:	IFTSTA/GroupConsignmentInformation/GroupStatus/Status/Status/StatusDescription		
Occurrence:	Minimum: 1	Maximum: 1	Mandatory
Length & Type:	Minimum: 1	Maximum: 35	<i>xs:string</i>
Value:	Possible values are : <ul style="list-style-type: none"> • "GOODS ARRIVED ON TERMINAL" (for container or vehicle arriving on a terminal) • "GOODS DEPARTED FROM TERMINAL" (for container or vehicle leaving a terminal) • "EXIT CONFIRMATION CUSTOMS" (for exit confirmation of an MRN-document) 		

2.7.3 DateTimePeriod

This segment is only used when an exit confirmation by Customs is reported. The reported date indicates the exit confirmation date of the MRN-document (exit of the goods declared with this MRN).

2.7.3.1 Diagram



2.7.3.2 Field description

Element Name:	DateTimeFunctionQualifier		
Description:	Code qualifying the function of a date.		
xPath:	IFTSTA/GroupConsignmentInformation/GroupStatus/DateTimePeriod/DateTimeFunctionQualifier		
Occurrence:	Minimum: 1	Maximum: 1	Mandatory
Length & Type:	Minimum: 1	Maximum: 3	<i>xs:string</i>
Value:	7 (Effective from date)		

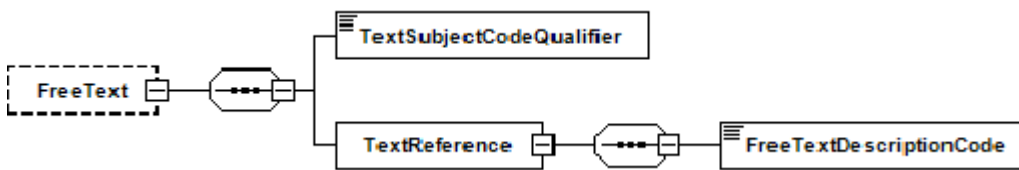
Element Name:	DateOrTimeOrPeriodText		
Description:	The value of the date in the specified representation (see DateOrTimeOrPeriodFormatCode); contains the date and time the message was created (processed).		
xPath:	IFTSTA/GroupConsignmentInformation/GroupStatus/DateTimePeriod/DateOrTimeOrPeriodText		
Occurrence:	Minimum: 1	Maximum: 1	Mandatory
Length & Type:	Minimum: 1	Maximum: 35	<i>xs:string</i>
Value:	Variable		

Element Name:	DateOrTimeOrPeriodFormatCode		
Description:	Code specifying the representation of the date and time.		
xPath:	IFTSTA/GroupConsignmentInformation/GroupStatus/DateTimePeriod/DateOrTimeOrPeriodFormatCode		
Occurrence:	Minimum: 1	Maximum: 1	Mandatory
Length & Type:	Minimum: 1	Maximum: 3	<i>xs:string</i>
Value:	102 (notation: CCYYMMDD)		

2.7.4 FreeText

This segment is also, as the previous DateTimePeriod-segment, only used when an exit confirmation by Customs is reported.
The free text reports the office of exit of the MRN-document.

2.7.4.1 Diagram



2.7.4.2 Field description

Element Name:	TextSubjectCodeQualifier		
Description:	Code qualifying the subject of the text.		
xPath:	IFTSTA/GroupConsignmentInformation/GroupStatus/FreeText/TextSubjectCodeQualifier		
Occurrence:	Minimum: 1	Maximum: 1	Mandatory
Length & Type:	Minimum: 1	Maximum: 3	<i>xs:string</i>
Value:	ACB (<i>Additional information</i>)		

Element Name:	TextReference		
Description:	Coded reference to a standard text and its source.		
xPath:	IFTSTA/GroupConsignmentInformation/GroupStatus/FreeText/TextReference		
Occurrence:	Minimum: 1	Maximum: 1	Mandatory
Length & Type:	-	-	<i>xs:complexType</i>

2.7.4.3 TextReference

Element Name:	FreeTextDescriptionCode		
Description:	Code specifying free form text; this element contains the code of the office of exit for the reported MRN-document (consignment), e.g. "BE101000".		
xPath:	IFTSTA/GroupConsignmentInformation/GroupStatus/FreeText/TextReference/FreeTextDescriptionCode		
Occurrence:	Minimum: 1	Maximum: 1	Mandatory
Length & Type:	Minimum: 1	Maximum: 3	<i>xs:string</i>
Value:	Variable; office of exit of the MRN-document, in coded notation e.g. "BE101000".		

2.8 Group Equipment Details (GRP 10)

Segment group 10.

A group of segments indicating the equipment details relating to the status or event.

The equipment details are only used when following status-events are reported :

- goods arriving on a terminal
- goods leaving a terminal

This group is optional and contains maximum 99 occurrences.

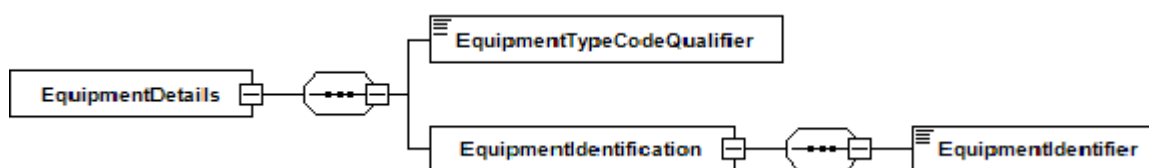
2.8.1 Field description

Element Name:	EquipmentDetails		
Description:	A segment identifying equipment related to status or event.		
xPath:	IFTSTA/GroupConsignmentInformation/GroupStatus/GroupEquipmentDetails/EquipmentDetails		
Occurrence:	Minimum: 1	Maximum: 1	Mandatory
Length & Type:	-	-	<i>tns:STypeEquipmentDetails</i>

Element Name:	GroupPlaceLocationIdentification		
Description:	A group of segments indicating locations related to the transport equipment.		
xPath:	IFTSTA/GroupConsignmentInformation/GroupStatus/GroupEquipmentDetails/GroupPlaceLocationIdentification		
Occurrence:	Minimum: 1	Maximum: 1	Mandatory
Length & Type:	-	-	<i>xs:complexType</i>

2.8.2 EquipmentDetails

2.8.2.1 Diagram



2.8.2.2 Field description

Element Name:	EquipmentTypeCodeQualifier		
Description:	Code qualifying a type of equipment: container or vehicle.		
xPath:	IFTSTA/GroupConsignmentInformation/GroupStatus/GroupEquipmentDetails/EquipmentDetails/EquipmentTypeCodeQualifier		
Occurrence:	Minimum: 1	Maximum: 1	Mandatory

Length & Type:	Minimum: 1	Maximum: 3	<i>xs:string</i>
Value:	Possible values are : <ul style="list-style-type: none"> • "CN" (<i>Container</i>) • "VH" (<i>Vehicle</i>) 		

Element Name:	EquipmentIdentification		
Description:	Segment for identifying a specific equipment		
xPath:	IFTSTA/GroupConsignmentInformation/GroupStatus/GroupEquipmentDetails/EquipmentDetails/EquipmentIdentification		
Occurrence:	Minimum: 1	Maximum: 1	Mandatory
Length & Type:	-	-	<i>xs:complexType</i>

2.8.2.3 EquipmentIdentification

Element Name:	EquipmentIdentifier		
Description:	Element identifying the equipment; contains the container number or vehicle number (VIN) for which a status/event is reported.		
xPath:	IFTSTA/GroupConsignmentInformation/GroupStatus/GroupEquipmentDetails/EquipmentDetails/EquipmentIdentification/EquipmentIdentifier		
Occurrence:	Minimum: 1	Maximum: 1	Mandatory
Length & Type:	Minimum: 1	Maximum: 17	<i>xs:string</i>
Value:	Variable; contains a container number or a vehicle number.		

2.9 Group Place/Location Identification (GRP 11)

Segment group 11.

A group of segments indicating locations related to the transport equipment.

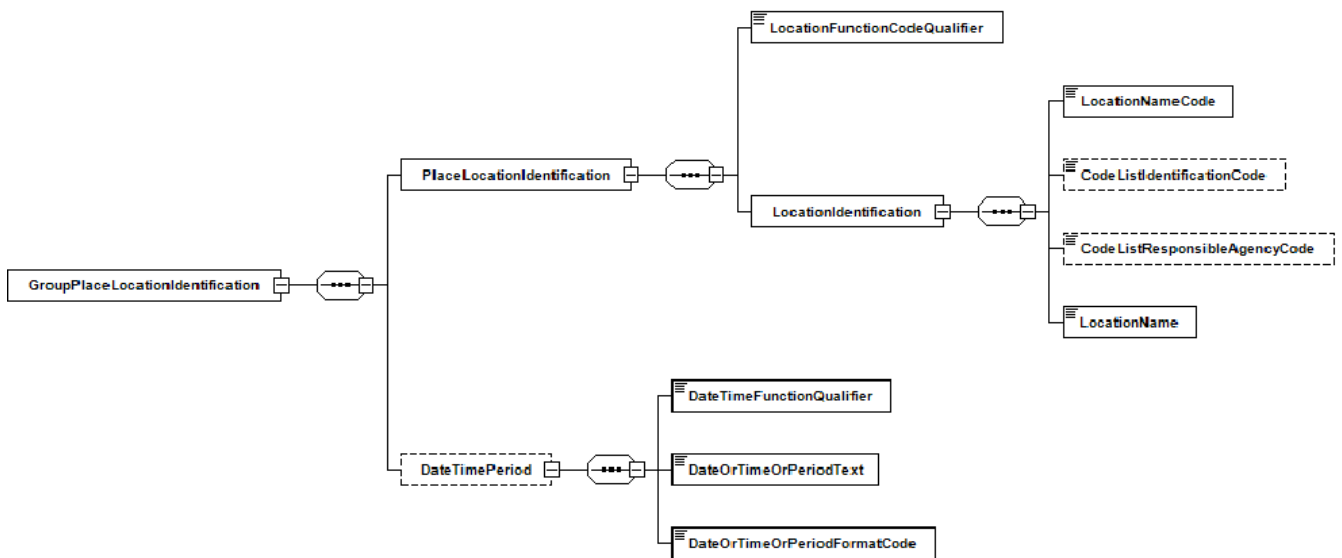
Also the date/time that an event has occurred in relation to the location for a specific transport equipment is reported in this segment group.

The location details are, as related to a specific equipment, also only used when following status-events are reported :

- goods arriving on a terminal
- goods leaving a terminal

This group is mandatory and contains maximum 9 occurrences.

2.9.1 Diagram



2.9.2 Field description

Element Name:	PlaceLocationIdentification		
Description:	A segment indicating locations related to the transport equipment.		
xPath:	IFTSTA/GroupConsignmentInformation/GroupStatus/GroupEquipmentDetails/GroupPlaceLocationIdentification/PlaceLocationIdentification		
Occurrence:	Minimum: 1	Maximum: 1	Mandatory
Length & Type:	-	-	<i>tns:STypePlaceLocationIdentification</i>

Element Name:	DateTimePeriod		
Description:	A segment to specify dates and times related to a location.		
xPath:	IFTSTA/GroupConsignmentInformation/GroupStatus/GroupEquipmentDetails/GroupPlaceLocationIdentification/DateTimePeriod		

Occurrence:	Minimum: 0	Maximum: 1	Optional
Length & Type:	-	-	<i>tns:STypeDateTimePeriod LOC</i>

2.9.3 PlaceLocationIdentification

This segment contains the location details where a status or event is reported for a transport equipment, namely the terminal location where a container or a vehicle arrives or leaves the terminal.

Element Name:	LocationFunctionCodeQualifier		
Description:	Code identifying the function of a location.		
xPath:	IFTSTA/GroupConsignmentInformation/GroupStatus/GroupEquipmentDetails/GroupPlaceLocationIdentification/PlaceLocationIdentification/LocationFunctionCodeQualifier		
Occurrence:	Minimum: 1	Maximum: 1	Mandatory
Length & Type:	Minimum: 1	Maximum: 3	<i>xs:string</i>
Value:	Possible values are : <ul style="list-style-type: none"> • "4" (Goods receipt place, for container or vehicle arriving on a terminal) • "5" (Place of departure, for container or vehicle leaving the terminal) 		

Element Name:	LocationIdentification		
Description:	Identification of a location by code or name.		
xPath:	IFTSTA/GroupConsignmentInformation/GroupStatus/GroupEquipmentDetails/GroupPlaceLocationIdentification/PlaceLocationIdentification/LocationIdentification		
Occurrence:	Minimum: 1	Maximum: 1	Mandatory
Length & Type:	-	-	<i>xs:complexType</i>

2.9.3.1 LocationIdentification

Element Name:	LocationNameCode		
Description:	Code specifying the name of the location.		
xPath:	IFTSTA/GroupConsignmentInformation/GroupStatus/GroupEquipmentDetails/GroupPlaceLocationIdentification/PlaceLocationIdentification/LocationIdentification/LocationNameCode		
Occurrence:	Minimum: 1	Maximum: 1	Mandatory
Length & Type:	Minimum: 1	Maximum: 35	<i>xs:string</i>
Value:	Variable; contains the standard coded terminal location, maintained by APCS, of a specific terminal (list of terminal locations can be downloaded from APCS website); e.g. "BEANR0910101742".		

Element Name:	CodeListIdentificationCode		
Description:	Code identifying a user or association maintained code list.		
xPath:	IFTSTA/GroupConsignmentInformation/GroupStatus/GroupEquipmentDetails/GroupPlaceLocationIdentification/PlaceLocationIdentification/LocationIdentification/CodeListIdentificationCode		

Occurrence:	Minimum: 0	Maximum: 1	Optional
Length & Type:	Minimum: 1	Maximum: 17	<i>xs:string</i>
Value:	APCS (<i>Antwerp Port Community System</i>)		

Element Name:	CodeListResponsibleAgencyCode		
Description:	Code specifying the agency responsible for a code list.		
xPath:	IFTSTA/GroupConsignmentInformation/GroupStatus/GroupEquipmentDetails/GroupPlaceLocationIdentification/PlaceLocationIdentification/LocationIdentification/CodeListResponsibleAgencyCode		
Occurrence:	Minimum: 0	Maximum: 1	Optional
Length & Type:	Minimum: 1	Maximum: 3	<i>xs:string</i>
Value:	ZZZ (<i>mutually defined</i>)		

Element Name:	LocationName		
Description:	Name of the location, as coded in LocationNameCode.		
xPath:	IFTSTA/GroupConsignmentInformation/GroupStatus/GroupEquipmentDetails/GroupPlaceLocationIdentification/PlaceLocationIdentification/LocationIdentification/LocationName		
Occurrence:	Minimum: 1	Maximum: 1	Mandatory
Length & Type:	Minimum: 1	Maximum: 256	<i>xs:string</i>
Value:	Variable; name/description related to the location code in element LocationNameCode, e.g. "MSC PSA EUROPEAN TERMINAL (K 1742)" for code BEANR0910101742		

2.9.4 DateTimePeriod

Element Name:	DateTimeFunctionQualifier		
Description:	Code qualifying the function of a date, time or period.		
xPath:	IFTSTA/GroupConsignmentInformation/GroupStatus/GroupEquipmentDetails/GroupPlaceLocationIdentification/DateTimePeriod/DateTimeFunctionQualifier		
Occurrence:	Minimum: 1	Maximum: 1	Mandatory
Length & Type:	Minimum: 1	Maximum: 3	<i>xs:string</i>
Value:	7 (<i>Effective from date</i>)		

Element Name:	DateOrTimeOrPeriodText		
Description:	The value of the date and time in the specified representation (see DateOrTimeOrPeriodFormatCode); contains the date and time a container or vehicle arrived or has left a specific location (terminal).		
xPath:	IFTSTA/GroupConsignmentInformation/GroupStatus/GroupEquipmentDetails/GroupPlaceLocationIdentification/DateTimePeriod/DateOrTimeOrPeriodText		
Occurrence:	Minimum: 1	Maximum: 1	Mandatory
Length & Type:	Minimum: 1	Maximum: 35	<i>xs:string</i>
Value:	Variable; reports the handling date/time of the events goods arrived and goods departed as given by the terminal operator.		

Element Name:	DateOrTimeOrPeriodFormatCode		
Description:	Code specifying the representation of the date and time.		
xPath:	IFTSTA/DateTimePeriod/DateOrTimeOrPeriodFormatCode		
Occurrence:	Minimum: 1	Maximum: 1	Mandatory
Length & Type:	Minimum: 1	Maximum: 3	<i>xs:string</i>
Value:	203 (<i>notation: CCYYMMDDHHMM</i>)		

3 Examples

3.1 Example 1: message reporting an exit confirmation by Customs

This example shows a message (MsgNo1234567) whereby the exit of the MRN-document 15BEE0000038730916 is confirmed by Customs to company "COMPANY NAME", identified by its DUNS-number "1234567890".

```
<?xml version="1.0" encoding="utf-8"?>
<tns:IFTSTA xmlns:tns="urn:PCM" xmlns:xsi="http://www.w3.org/2001/XMLSchema-instance"
xsi:schemaLocation="urn:PCM h:\ebalie\IFTSTA\iftsta-ebalie.xsd" VersionMajor="2"
VersionMinor="0">
  <tns:MessageHeader>
    <tns:MessageIdentifier>
      <tns:MessageTypeIdentifier>IFTSTA</tns:MessageTypeIdentifier>
      <tns:MessageTypeVersionNumber>D</tns:MessageTypeVersionNumber>
      <tns:MessageTypeReleaseNumber>03A</tns:MessageTypeReleaseNumber>
      <tns:ControllingAgency>UN</tns:ControllingAgency>
    </tns:MessageIdentifier>
  </tns:MessageHeader>
  <tns:BeginningOfMessage>
    <tns:DocumentMessageName>
      <tns:DocumentNameCode>77</tns:DocumentNameCode>
    </tns:DocumentMessageName>
    <tns:DocumentMessageIdentification>
      <tns:DocumentIdentifier>MsgNo1234567</tns:DocumentIdentifier>
    </tns:DocumentMessageIdentification>
    <tns:MessageFunctionCode>9</tns:MessageFunctionCode>
  </tns:BeginningOfMessage>
  <tns:DateTimePeriod>
    <tns:DateTimeFunctionQualifier>9</tns:DateTimeFunctionQualifier>
    <tns>DateOrTimeOrPeriodText>201509241315</tns>DateOrTimeOrPeriodText>
    <tns>DateOrTimeOrPeriodFormatCode>203</tns>DateOrTimeOrPeriodFormatCode>
  </tns:DateTimePeriod>
  <tns:GroupNameAndAddress>
    <tns:NameAndAddress>
      <tns:PartyFunctionCodeQualifier>MR</tns:PartyFunctionCodeQualifier>
      <tns:PartyIdentificationDetails>
        <tns:PartyIdentifier>DUNS:123456789</tns:PartyIdentifier>
      </tns:PartyIdentificationDetails>
      <tns:NameAndAddress>
        <tns:NameAndAddressDescription>COMPANY NAME</tns:NameAndAddressDescription>
      </tns:NameAndAddress>
    </tns:NameAndAddress>
  </tns:GroupNameAndAddress>
  <tns:GroupNameAndAddress>
    <tns:NameAndAddress>
      <tns:PartyFunctionCodeQualifier>MS</tns:PartyFunctionCodeQualifier>
      <tns:NameAndAddress>
        <tns:NameAndAddressDescription>APCS</tns:NameAndAddressDescription>
      </tns:NameAndAddress>
    </tns:NameAndAddress>
  </tns:GroupNameAndAddress>
  <tns:GroupConsignmentInformation>
```

```

<tns:ConsignmentInformation>
  <tns:ConsolidationItemnumber>1</tns:ConsolidationItemnumber>
  <tns:DocumentMessageDetails>
    <tns:DocumentIdentifier>EX/15BEE0000038730916</tns:DocumentIdentifier>
  </tns:DocumentMessageDetails>
</tns:ConsignmentInformation>
<tns:GroupStatus>
  <tns:Status>
    <tns:StatusCategory>
      <tns:StatusCategoryCode>1</tns:StatusCategoryCode>
    </tns:StatusCategory>
    <tns:Status>
      <tns:StatusDescriptionCode>73</tns:StatusDescriptionCode>
      <tns:CodeListResponsibleAgencyCode>6</tns:CodeListResponsibleAgencyCode>
      <tns:StatusDescription>EXIT CONFIRMATION CUSTOMS</tns:StatusDescription>
    </tns:Status>
  </tns:Status>
  <tns:DateTimePeriod>
    <tns:DateTimeFunctionQualifier>7</tns:DateTimeFunctionQualifier>
    <tns>DateOrTimeOrPeriodText>20150924</tns>DateOrTimeOrPeriodText>
    <tns>DateOrTimeOrPeriodFormatCode>102</tns>DateOrTimeOrPeriodFormatCode>
  </tns:DateTimePeriod>
  <tns:FreeText>
    <tns:TextSubjectCodeQualifier>ACB</tns:TextSubjectCodeQualifier>
    <tns:TextReference>
      <tns:FreeTextDescriptionCode>BE101000</tns:FreeTextDescriptionCode>
    </tns:TextReference>
  </tns:FreeText>
</tns:GroupStatus>
</tns:GroupConsignmentInformation>
</tns:IFTSTA>

```

3.2 Example 2: message reporting a container arrived on terminal

This example shows a message (MsgNo1234567) whereby container MSKU1234567 has arrived on the MPET-terminal, quay 1742. The container is registered with MRN-document 15BEE0000038730280 and the message is reported to company "COMPANY NAME", identified by its DUNS-number "1234567890".

```

<?xml version="1.0" encoding="utf-8"?>
<tns:IFTSTA xmlns:tns="urn:PCM" xmlns:xsi="http://www.w3.org/2001/XMLSchema-instance"
xsi:schemaLocation="urn:PCM h:\ebalie\IFTSTA\iftsta-ebalie.xsd" VersionMajor="2"
VersionMinor="0">
  <tns:MessageHeader>
    <tns:MessageIdentifier>
      <tns:MessageTypeIdentifier>IFTSTA</tns:MessageTypeIdentifier>
      <tns:MessageTypeVersionNumber>D</tns:MessageTypeVersionNumber>
      <tns:MessageTypeReleaseNumber>03A</tns:MessageTypeReleaseNumber>
      <tns:ControllingAgency>UN</tns:ControllingAgency>
    </tns:MessageIdentifier>
  </tns:MessageHeader>
  <tns:BeginningOfMessage>
    <tns:DocumentMessageName>
      <tns:DocumentNameCode>77</tns:DocumentNameCode>
    </tns:DocumentMessageName>
    <tns:DocumentMessageIdentification>

```



```

<tns:GroupPlaceLocationIdentification>
  <tns:PlaceLocationIdentification>
    <tns:LocationFunctionCodeQualifier>4</tns:LocationFunctionCodeQualifier>
    <tns:LocationIdentification>
      <tns:LocationNameCode>BEANR0910101742</tns:LocationNameCode>
      <tns:CodeListIdentificationCode>APCS</tns:CodeListIdentificationCode>
      <tns:CodeListResponsibleAgencyCode>ZZZ</tns:CodeListResponsibleAgencyCode>
      <tns:LocationName>MSC PSA EUROPEAN TERMINAL (K 1742)</tns:LocationName>
    </tns:LocationIdentification>
  </tns:PlaceLocationIdentification>
  <tns:DateTimePeriod>
    <tns:DateTimeFunctionQualifier>7</tns:DateTimeFunctionQualifier>
    <tns:DateOrTimeOrPeriodText>201509241300</tns:DateOrTimeOrPeriodText>
    <tns:DateOrTimeOrPeriodFormatCode>203</tns:DateOrTimeOrPeriodFormatCode>
  </tns:DateTimePeriod>
</tns:GroupPlaceLocationIdentification>
</tns:GroupEquipmentDetails>
</tns:GroupStatus>
</tns:GroupConsignmentInformation>
</tns:IFTSTA>

```

3.3 Example 3: message reporting a vehicle departed from terminal

This example shows a message (MsgNo1234567) whereby vehicle WAUZZZ8DZTA075450 has left the ICO Bastenaken terminal, quay 502. The vehicle is registered with MRN-document 15BEE0000038712854 and the message is reported to company "COMPANY NAME", identified by its DUNS-number "1234567890".

```

<?xml version="1.0" encoding="utf-8"?>
<tns:IFTSTA xmlns:tns="urn:PCM" xmlns:xsi="http://www.w3.org/2001/XMLSchema-instance"
xsi:schemaLocation="urn:PCM h:\ebalie\IFTSTA\iftsta-ebalie.xsd" VersionMajor="2"
VersionMinor="0">
  <tns:MessageHeader>
    <tns:MessageIdentifier>
      <tns:MessageTypeIdentifier>IFTSTA</tns:MessageTypeIdentifier>
      <tns:MessageTypeVersionNumber>D</tns:MessageTypeVersionNumber>
      <tns:MessageTypeReleaseNumber>03A</tns:MessageTypeReleaseNumber>
      <tns:ControllingAgency>UN</tns:ControllingAgency>
    </tns:MessageIdentifier>
  </tns:MessageHeader>
  <tns:BeginningOfMessage>
    <tns:DocumentMessageName>
      <tns:DocumentNameCode>77</tns:DocumentNameCode>
    </tns:DocumentMessageName>
    <tns:DocumentMessageIdentification>
      <tns:DocumentIdentifier>MsgNo1234567</tns:DocumentIdentifier>
    </tns:DocumentMessageIdentification>
    <tns:MessageFunctionCode>9</tns:MessageFunctionCode>
  </tns:BeginningOfMessage>
  <tns:DateTimePeriod>
    <tns:DateTimeFunctionQualifier>9</tns:DateTimeFunctionQualifier>
    <tns:DateOrTimeOrPeriodText>201509241315</tns:DateOrTimeOrPeriodText>
    <tns:DateOrTimeOrPeriodFormatCode>203</tns:DateOrTimeOrPeriodFormatCode>
  </tns:DateTimePeriod>
  <tns:GroupNameAndAddress>
    <tns:NameAndAddress>

```

```

<tns:PartyFunctionCodeQualifier>MR</tns:PartyFunctionCodeQualifier>
<tns:PartyIdentificationDetails>
  <tns:PartyIdentifier>DUNS:123456789</tns:PartyIdentifier>
</tns:PartyIdentificationDetails>
<tns:NameAndAddress>
  <tns:NameAndAddressDescription>COMPANY NAME</tns:NameAndAddressDescription>
</tns:NameAndAddress>
</tns:NameAndAddress>
</tns:GroupNameAndAddress>
<tns:GroupNameAndAddress>
  <tns:NameAndAddress>
    <tns:PartyFunctionCodeQualifier>MS</tns:PartyFunctionCodeQualifier>
    <tns:PartyIdentificationDetails>
      <tns:PartyIdentifier>APCS</tns:PartyIdentifier>
    </tns:PartyIdentificationDetails>
  </tns:NameAndAddress>
</tns:GroupNameAndAddress>
<tns:GroupConsignmentInformation>
  <tns:ConsignmentInformation>
    <tns:ConsolidationItemnumber>1</tns:ConsolidationItemnumber>
    <tns:DocumentMessageDetails>
      <tns:DocumentIdentifier>EX/15BEE000038712854</tns:DocumentIdentifier>
    </tns:DocumentMessageDetails>
  </tns:ConsignmentInformation>
  <tns:Control>
    <tns:ControlTotalTypeCodeQualifier>16</tns:ControlTotalTypeCodeQualifier>
    <tns:ControlTotalQuantity>1</tns:ControlTotalQuantity>
  </tns:Control>
  <tns:GroupStatus>
    <tns:Status>
      <tns:StatusCategory>
        <tns:StatusCategoryCode>1</tns:StatusCategoryCode>
      </tns:StatusCategory>
      <tns:Status>
        <tns:StatusDescriptionCode>3</tns:StatusDescriptionCode>
        <tns:CodeListResponsibleAgencyCode>6</tns:CodeListResponsibleAgencyCode>
        <tns:StatusDescription>GOODS DEPARTED FROM TERMINAL</tns:StatusDescription>
      </tns:Status>
    </tns:Status>
  <tns:GroupEquipmentDetails>
    <tns:EquipmentDetails>
      <tns:EquipmentTypeCodeQualifier>VH</tns:EquipmentTypeCodeQualifier>
      <tns:EquipmentIdentification>
        <tns:EquipmentIdentifier>WAUZZZ8DZTA075450</tns:EquipmentIdentifier>
      </tns:EquipmentIdentification>
    </tns:EquipmentDetails>
    <tns:GroupPlaceLocationIdentification>
      <tns:PlaceLocationIdentification>
        <tns:LocationFunctionCodeQualifier>5</tns:LocationFunctionCodeQualifier>
        <tns:LocationIdentification>
          <tns:LocationNameCode>BEZEE0750200505</tns:LocationNameCode>
          <tns:CodeListIdentificationCode>APCS</tns:CodeListIdentificationCode>
          <tns:CodeListResponsibleAgencyCode>ZZZ</tns:CodeListResponsibleAgencyCode>
          <tns:LocationName>ICO BASTENAKEN TERMINAL ZEEBRUGGE (K 502)</tns:LocationName>
        </tns:LocationIdentification>
      </tns:PlaceLocationIdentification>
      <tns:DateTimePeriod>

```

```
<tns:DateTimeFunctionQualifier>7</tns:DateTimeFunctionQualifier>
<tns:DateOrTimeOrPeriodText>201509241300</tns:DateOrTimeOrPeriodText>
<tns:DateOrTimeOrPeriodFormatCode>203</tns:DateOrTimeOrPeriodFormatCode>
</tns:DateTimePeriod>
</tns:GroupPlaceLocationIdentification>
</tns:GroupEquipmentDetails>
</tns:GroupStatus>
</tns:GroupConsignmentInformation>
</tns:IFTSTA>
```