



Federale
Overheidsdienst
FINANCIEN

BELASTINGEN EN INVORDERING
Administratie van Douane en Accijnzen

IFTSTA
Announcement of the arrival data of the cargo
Goods to be loaded on a vessel

Version 1.9

1 DECEMBER 2011

<i>Message Name:</i>	EDIFACT IFTSTA Message – Belgian Customs
<i>Message Version:</i>	1.9
<i>Date Released:</i>	1 december 2011
<i>Responsible Agency:</i>	Belgian Customs.
<i>Message Description:</i>	
<i>Message Type:</i>	IFTSTA
<i>Directory Name:</i>	TDID 03B
<i>Directory Version:</i>	D.03B

REVISIONS

Version	Date	Author	comment
1.0	1 April 2007	Seagha	
1.1	1 Oktober 2007	R. Beeckman	Changes in SG14/FTX /to recognize the type of the declaration. Please note that this version is not yet stable
1.2	26 december 2007	R. Beeckman	Changes due to discussions during the meeting of 21/12/2007
1.3	6 mei 2008	R. Beeckman	Some clarifications, segment FTW gets other values and RFF is added.
1.4	28 mei 2008	R. Beeckman	Aanpassingen om consistentie te hebben met andere berichten
1.5	20 mai 2009	M. Vico	Ajout d'exemples (point 6)
1.6	19 oktober 2009	R. Beeckman	
1.7	3 novembre 2009	Michaël Vico	
1.8	12 november 2009	R. Beeckman	Nakijken en opnemen van opmerkingen van porthus
1.9	1 december 2011	M.De Doncker	Revisie van het ganze document

1. General Comments

1.1. Introduction

A message to report the transport status and/or a change in the transport status (i.e. event) between agreed parties.

This message announces the arrival of the goods and makes the relation between the accompanying document and the unique reference number given by the local agent.

This message will be send at the moment the unique reference is created by the agent.

1.2. Used abbreviations

LRN : Local Reference Number = identification of a message

URN : Unique reference number = identification of a consignment or part of a consignment

MRN : Movement reference number = unique reference number of a customs declaration

1.3. Additional information on the USE of IFTSTA

- Qualifiers CTR/XTT for NCTS declarations : those MRN can be sent but will not be processed in a proper way at the start. The connection with the NCTS system will be done on a later stage.
- Check of MRN : when an IFTSTA message is received the existence of the MRN will be checked in the system. If it concern's a direct export the MRN has to be present in the system, if it concerns an indirect export and MRN is not present in the system a message will be sent to the MS of export. If response is negative an error message will be sent.
- The arrival notification of conventional goods without the MRN number(s) is not allowed. In this case an error message (R91) will be sent, no data will be stored and the conventional goods will be blocked at an administrative level

2. Description of the service segments

2.1. Interchange envelop – UNB segment

UNB - M 1 - INTERCHANGE HEADER				
Function : To start, identify and specify an interchange.				
Segment number :				
	EDIFACT	BE Customs	*	Description
S001 SYNTAX IDENTIFIER	M	R		
0001 Syntax identifier	M a4	R	*	UNOC
0002 Syntax version number	M n1	R	*	3 = Syntax version number 3
S002 INTERCHANGE SENDER	M	R		
0004 Sender identification	M an..35	R		It is recommended to use the TIN number (see also SG-2 – NAD – C082/3039 for details); if not, parties have to agree an identification with the Central Administration of the Belgian Customs
0007 Partner Identification code qualifier	C an..4	X		"ZZZ"= mutually defined
0008 Address for reverse routing	C an..14	X		
S003 INTERCHANGE RECIPIENT	M	R		
0010 Recipient identification	M an..35	R		The following codes are used: DOUANR = port of Antwerp DOUZEE = port of Zeebrugge DOUGEN = port of Gent.
0007 Partner Identification code qualifier	C an..4	X		
0014 Routing address	C an..14	X		
S004 DATE / TIME OF PREPARATION	M	R		
0017 Date	M n6	R		YYMMDD
0019 Time	M n4	R		HHMM
0020 Interchange control reference	M an..14	R		Unique reference identifying the interchange. Created by the interchange sender.
S005 RECIPIENT'S REFERENCE PASSWORD	C	X		
0022 Recipient's reference/password	M an..14	X		
0025 Recipient's reference/password qualifier	C an2	X		
0026 Application reference	C an..14	X		Message identification if the interchange contains only one type of message.
0029 Processing priority code	C a1	X		

0031	Acknowledgement request	C n1	X		
0032	Communications agreement identification	C an..35	R	*	"IFTSTA"
0035	Test indicator	C n1	O		1 = Interchange is a test

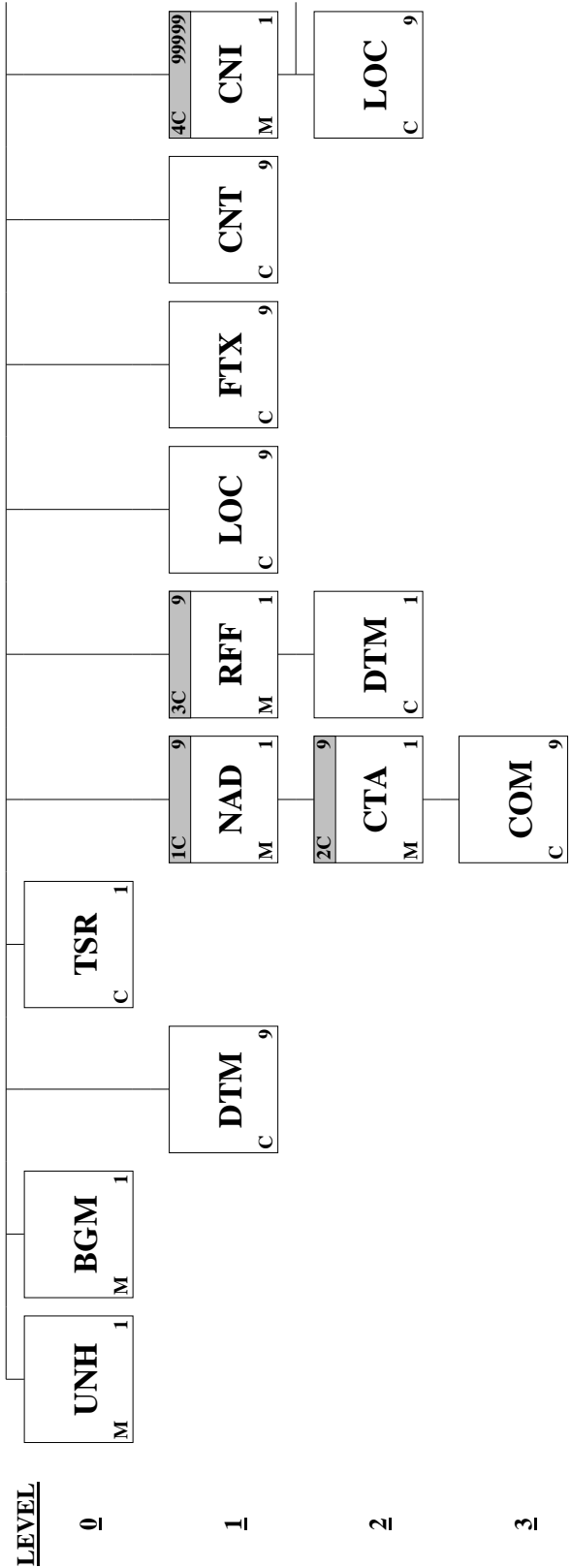
2.2. Interchange envelop – UNZ segment

UNZ - M 1 - INTERCHANGE TRAILER					
Function :		To end and check the completeness of an interchange.			
Segment number :					
		EDIFACT	BE Customs	*	Description
0036	Interchange control count	M n..6	R		Number of messages within the interchange.
0020	Interchange control reference	M an..14	R		Identical to DE 0020 in UNB segment.

3. Segment table

	Pos. No.	Seg. ID	Name	Req. Des.	Max.Use	Group Repeat	Notes and Comments
M	0010	UNH	Message Header	M	1		
M	0020	BGM	Beginning of Message	M	1		
M	0030	DTM	Date/Time/Period	C	9		
Not Used	0040	TSR	Transport Service Requirements	C	1		
	0050	Segment Group 1: NAD-SG2			C	9	
M	0060	NAD	Name and Address	M	1		
Not used	0070	Segment Group 2: CTA-COM			C	9	
	0080	CTA	Contact Information	M	1		
	0090	COM	Communication Contact	C	9		
Not Used	0100	Segment Group 3: RFF-DTM			C	9	
	0110	RFF	Reference	M	1		
	0120	DTM	Date/Time/Period	C	1		
	0130	LOC	Place/Location Identification	C	9		
	0140	FTX	Free Text	C	9		
	0150	CNT	Control Total	C	9		
M	0160	Segment Group 4: CNI-LOC-CNT-SG5			C	99999	
M	0170	CNI	Consignment Information	M	1		
Not Used	0180	LOC	Place/Location Identification	C	9		
Not Used	0190	CNT	Control Total	C	9		
M	0200	Segment Group 5: STS-RFF-DTM-DOC-FTX-SG6-LOC-PCI-SG8-SG10-SG14			M	99	
M	0210	STS	Status	M	1		
M	0220	RFF	Reference	C	999		
Not Used	0230	DTM	Date/Time/Period	C	9		
Not Used	0240	DOC	Document/Message Details	C	1		
Not Used	0250	FTX	Free Text	C	9		
Not used	0260	Segment Group 6: NAD-SG7			C	9	
	0270	NAD	Name and Address	M	1		

	0280		Segment Group 7: CTA-COM	C	9
	0290	CTA	Contact Information	M	1
	0300	COM	Communication Contact	C	9
M	0310	LOC	Place/Location Identification	C	1
Not Used	0320	PCI	Package Identification	C	99
NotUsed	0330		Segment Group 8: TDT-DTM-RFF-SG9	C	99
	0340	TDT	Transport Information	M	1
	0350	DTM	Date/Time/Period	C	9
	0360	RFF	Reference	C	9
Not used	0370		Segment Group 9: LOC-DTM	C	9
	0380	LOC	Place/Location Identification	M	1
	0390	DTM	Date/Time/Period	C	9
Not Used	0400		Segment Group 10: EQD-MEA-DIM-SEL-RFF-TPL-TMD-SG11-SG12	C	99
	0410	EQD	Equipment Details	M	1
	0420	MEA	Measurements	C	9
	0430	DIM	Dimensions	C	9
	0440	SEL	Seal Number	C	9
	0450	RFF	Reference	C	9
	0460	TPL	Transport Placement	C	9
	0470	TMD	Transport Movement Details	C	1
	0480		Segment Group 11: LOC-DTM	C	9
	0490	LOC	Place/Location Identification	M	1
	0500	DTM	Date/Time/Period	C	9
	0510		Segment Group 12: EQA-SEL-SG13	C	99
	0520	EQA	Attached Equipment	M	1
	0530	SEL	Seal Number	C	9
	0540		Segment Group 13: LOC-DTM	C	9
	0550	LOC	Place/Location Identification	M	1
	0560	DTM	Date/Time/Period	C	9
Must Use	0570		Segment Group 14: GID-HAN-SGP-DGS-FTX-GDS-LOC-QTY-SG15-SG16-SG17-SG18	C	99
M	0580	GID	Goods Item Details	M	1
Not Used	0590	HAN	Handling Instructions	C	9
Not Used	0600	SGP	Split Goods Placement	C	99
Not Used	0610	DGS	Dangerous Goods	C	9
C	0620	FTX	Free Text	C	9
Not Used	0630	GDS	Nature of Cargo	C	9
Not used	0640	LOC	Place/Location Identification	C	9
Not Used	0650	QTY	Quantity	C	9
Not used	0660		Segment Group 15: MEA-EQN	C	99
	0670	MEA	Measurements	M	1
	0680	EQN	Number of Units	C	1
Not used	0690		Segment Group 16: DIM-EQN	C	99
	0700	DIM	Dimensions	M	1
	0710	EQN	Number of Units	C	1
Not used	0720		Segment Group 17: PCI-GIN	C	99
M	0730	PCI	Package Identification	M	1
	0740	GIN	Goods Identity Number	O	9999
Must be used	0750		Segment Group 18: RFF-DTM	C	9
M	0760	RFF	Reference	M	1
Not Used	0770	DTM	Date/Time/Period	C	9
M	0780	UNT	Message Trailer	M	1



LEVEL

0

1

2

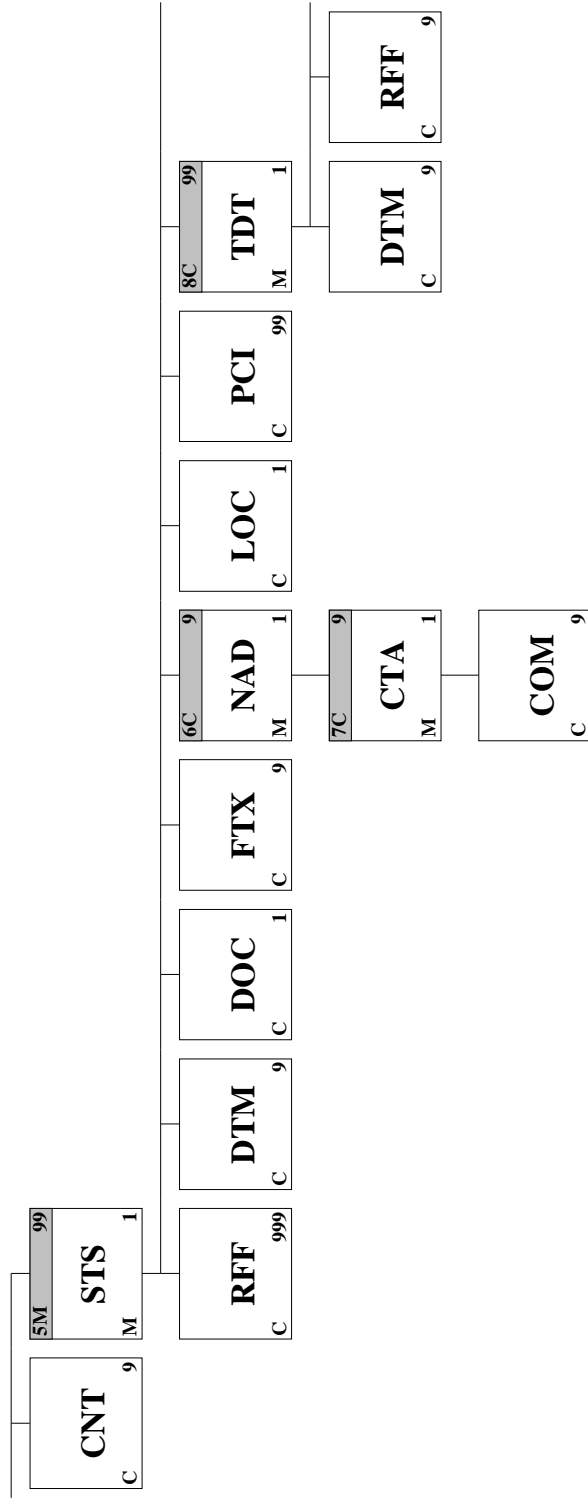
3

4

5

6

7



LEVEL

0

1

2

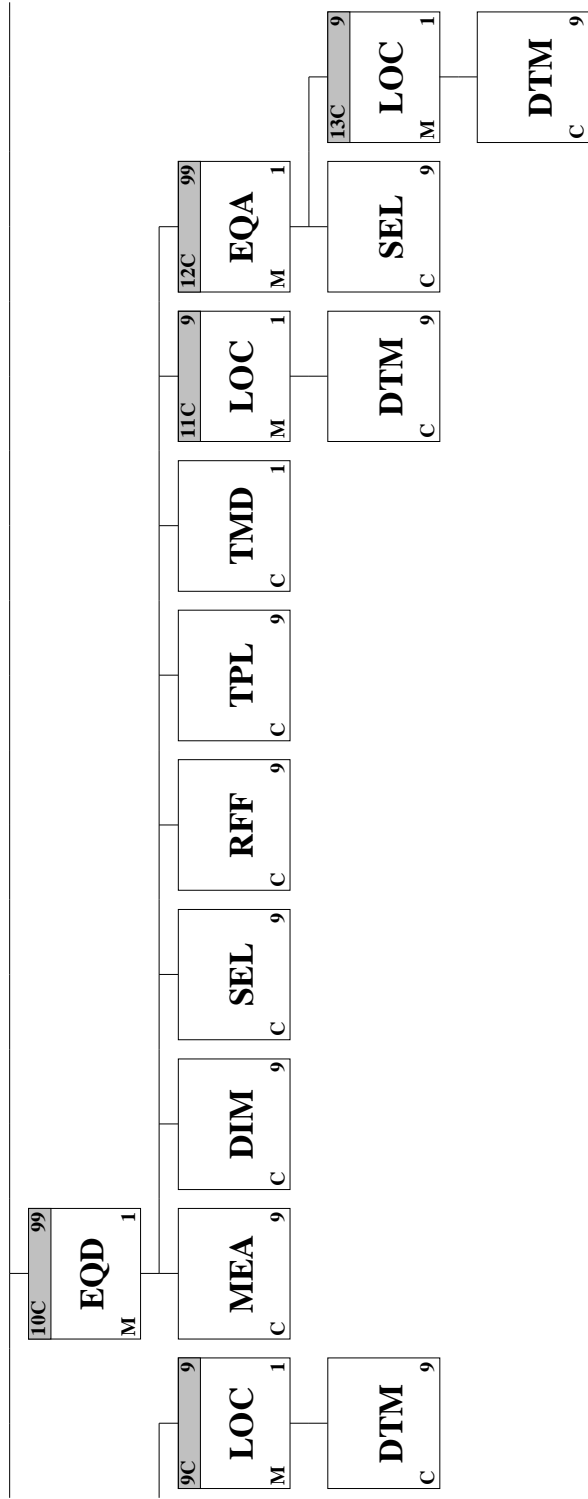
3

4

5

6

7



LEVEL

0

1

2

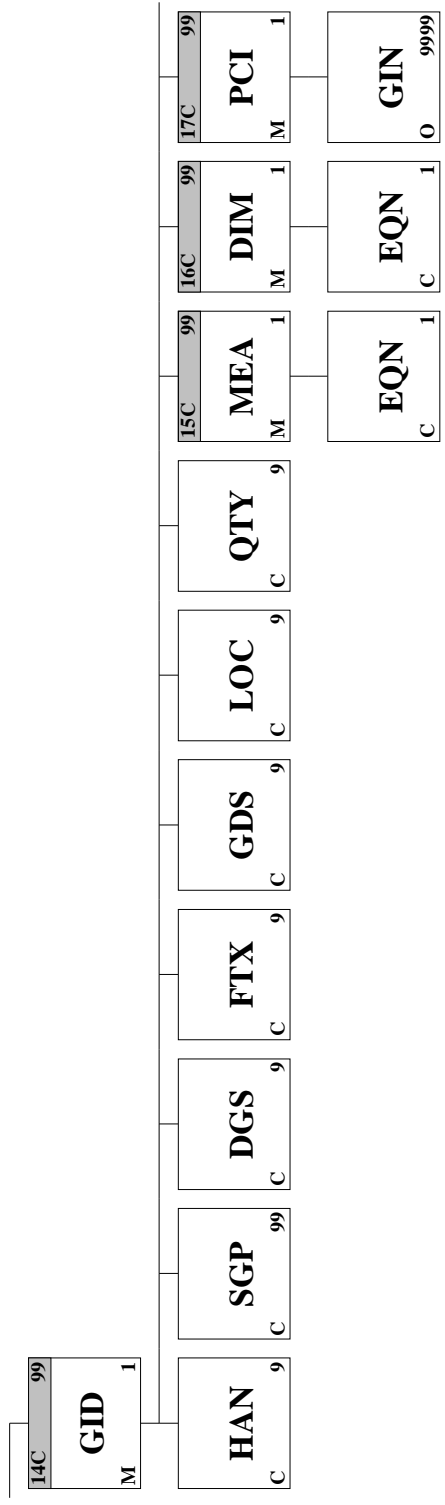
3

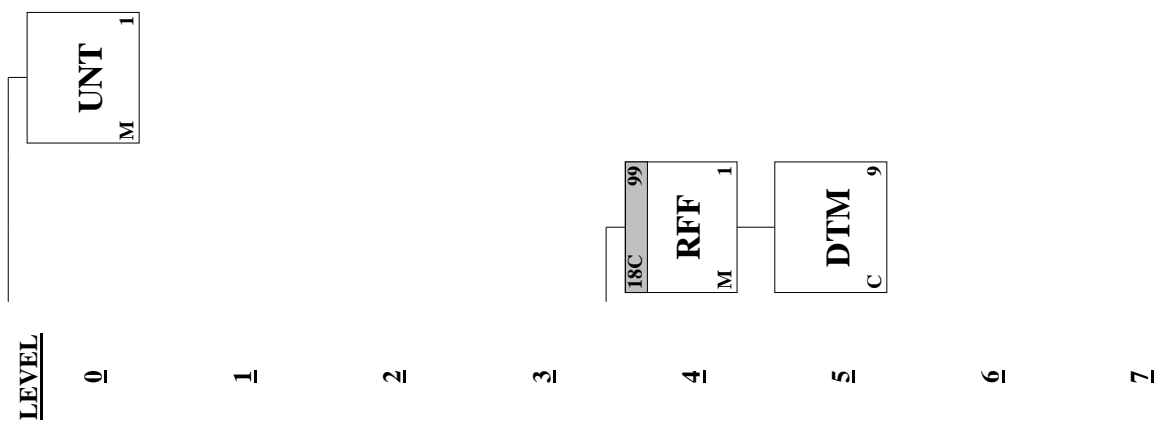
4

5

6

7





4. Description of the segments

4.1 UNH segment

Segment: UNH Message Header

Position: 0010

Group:

Level: 0

Usage: Mandatory

Max Use: 1

Purpose: A service segment starting and uniquely identifying a message. The message type code for the International multimodal status report message is IFTSTA.

Note: International multimodal status report messages conforming to this document must contain the following data in segment UNH, composite S009:

Data elements:

0065 IFTSTA 4.1 0052 D 0054 03B 0051 UN

Data Element Summary

Data Component		Attributes	
Element	Element Name		
M	0062	MESSAGE REFERENCE NUMBER	M 1 an..14
		Unique message reference assigned by the sender.	
M	S009	MESSAGE IDENTIFIER	M 1
		Identification of the type, version etc. of the message being interchanged.	
M	0065	Message type identifier	M an..6
		Code identifying a type of message and assigned by its controlling agency.	
		IFTSTA International multimodal status report message	
		A code to identify the international multimodal status report message.	
M	0052	Message type version number	M an..3
		Version number of a message type.	
		D Draft version/UN/EDIFACT Directory	
		Message approved and issued as a draft message (Valid for directories published after March 1993 and prior to March 1997). Message approved as a standard message (Valid for directories published after March 1997).	
M	0054	Message type release number	M an..3
		Release number within the current message type version number (0052).	
		03B Release 2003 – B	
		Message approved and issued in the second 2003 release of the UNTDID (United Nations Trade Data Interchange Directory).	
M	0051	Controlling agency	M an..2
		Code identifying the agency controlling the specification, maintenance and publication of the message type.	
		UN UN/CEFACT	
		United Nations Centre for Trade Facilitation and Electronic Business (UN/CEFACT).	
M	0057	Association assigned code	M an..6
		Code, assigned by the association responsible for the design and maintenance of the message type concerned, which further identifies the message.	

		DOUANE	BE Douane		
X	0068	COMMON ACCESS REFERENCE		X	1 an..35
Reference serving as a key to relate all subsequent transfers of data to the same business case or file.					
X	S010	STATUS OF THE TRANSFER		X	1
Statement that the message is one in a sequence of transfers relating to the same topic.					
X	0070	Sequence message transfer number		X	n..2
Number assigned by the sender indicating that the message is an addition or change of a previously sent message relating to the same topic.					
X	0073	First/last sequence message transfer indication		X	a1
Indication used for the first and last message in a sequence of the same type of message relating to the same topic.					

4.2 BGM segment

Segment: BGM Beginning of Message
Position: 0020
Group:
Level: 0
Usage: Mandatory
Max Use: 1
Purpose: A segment indicating the beginning of a message and identifying the consignment for which status is being reported.

Data Element Summary

		Data Component			
		Element	Element Name	Attributes	
M	C002		DOCUMENT/MESSAGE NAME	M	1
Identification of a type of document/message by code or name. Code preferred.					
M	1001		Document name code	M	an..3
Code specifying the document name.					
		185			Conveyance declaration (arrival). Has to be used for consignments delivered in expectation of the export. All other movements
X	1131		Code list identification code	X	an..17
Code identifying a user or association maintained code list.					
X	3055		Code list responsible agency code	X	an..3
Code specifying the agency responsible for a code list.					
X	1000		Document name	X	an..35
Name of a document.					
M	C106		DOCUMENT/MESSAGE IDENTIFICATION	M	1
Identification of a document/message by its number and eventually its version or revision.					
M	1004		Document identifier	M	an..22
To identify a document.					
This number has to be considered as the LRN. The specifications for LRN are the same as for LRN used in NCTS and PLDA. The LRN is the identification of the message.					
x	1056		Version identifier	C	an..9

x			To identify a version.			
	1060	Revision identifier		C	an..6	
			To identify a revision.			
M	1225	MESSAGE FUNCTION CODE		M	1 an..3	
			Code indicating the function of the message.			
		1	Cancellation			
			Message cancelling a previous transmission for a given transaction.			
		5	Replace			
			Message replacing a previous message.			
		9	Original			
			Initial transmission related to a given transaction.			
	4343	RESPONSE TYPE CODE		C	1 an..3	
			Code specifying the type of acknowledgment required or transmitted.			

4.2.1 Use of the qualifiers in BGM

- For each permis/ unique RoRo identification which will be exported at least one IFTSTA has to be send by the terminal operator.
- The first IFTSTA message for a permis/ unique RoRo identification has always the qualifier "9" in BGM/1225.
- For the next IFTSTA messages for the same permis/ unique RoRo identification only qualifiers "1" (delete) and "5" (replace) can be used.
- The code "1" 'cancellation: if this code is used the permis/ unique RoRo identification is cancelled. Once the permis/ unique RoRo identification is cancelled no replace is possible anymore.
- For a replace the new full information concerning the permis/ unique RoRo identification is sent. For example when an extra MRN is provided to the operator for a specific permis or unique RoRo identification , a replace message including the MRN of the previous message(s) and the new one has to be sent..

Qualifiers 5 (replace) and 1 (cancellation) are only allowed for direct export, not for indirect export (= export via BE where declaration has been made in another country), as EU only allows 1 arrival notification per MRN..

- When a foreign MRN is registered in PLDA, it can not be deleted anymore.
- One MRN with multiple permisunique RoRo identification and the arrival is notified at different moments; the operator has to send an IFTSTA for each arrival of a permis/ unique RoRo identification with the same MRN. PLDA will keep a bookkeeping. If PLDA did receive an arrival notification for all permis/ unique RoRo identification mentioned on the accompanying document, the process of the accompanying document will be started in the PLDA system.
- Multiple MRN's for the same permis/ unique RoRo identification: If information is not available in one time, the operator has to send a first IFTSTA with Qualifier "9" and subsequently he has to send replaces including the previous MRN('s) and the new one (s).
- When the qualifiers 1 (cancellation) is used then only the segments BGM, DTM, GR4/CNI, GR4/GR5/STS and GR4/GR5/RFF are used

4.2 DTM segment

Segment: DTM Date/Time/Period
Position: 0030
Group:
Level: 1
Usage: Conditional (Optional)
Max Use: 1
Purpose: A segment indicating the date of the handling.
Dependency Notes:
Semantic Notes:
Comments: The given date can be a date in the future or in the past.
For conventional cargo : the date of the order to load
For RoRo : the date of the arrival of the cargo at the terminal

Data Element Summary

Data Component		Attributes	
Element	Element Name		
M	C507	DATE/TIME/PERIOD	M 1
		Date and/or time, or period relevant to the specified date/time/period type.	
M	2005	Date or time or period function code qualifier	M an..3
		Code qualifying the function of a date, time or period.	
		141 Document/message date/time (2032)Date on which a goods declaration is presented to customs. It concerns the creation date of the local unique reference number.	
M	2380	Date or time or period text	M an..35
		The value of a date, a date and time, a time or of a period in a specified representation.	
M	2379	Date or time or period format code	M an..3
		Code specifying the representation of a date, time or period.	
		203 CCYYMMDDHHMM Calendar date including time with minutes: C=Century; Y=Year; M=Month; D=Day; H=Hour; M=Minutes.	

4.3 Segment group 1

Group: NAD Segment Group 1: Name and Address
Position: 0050
Group:
Level: 1
Usage: Conditional (Optional)
Max Use: 9
Purpose: A group of segments to specify a party and its associated contacts with communication numbers.

Segment Summary

	Pos. No.	Seg. ID	Name	Req. Des.	Max. Use	Group: Repeat
M	0060	NAD	Name and Address	M	1	
X	0070		Segment Group 2: Contact Information	C		9

4.3.1 NAD Segment

Segment: NAD Name and Address
Position: 0060 (Trigger Segment)
Group: Segment Group 1 (Name and Address) Conditional (Optional)
Level: 1
Usage: Mandatory
Max Use: 1
Purpose: A segment identifying a party to the consignment such as shipper or consignee.

Data Element Summary

Data Component		Data Element Summary	
Element	Element Name	Attributes	
M	3035	PARTY FUNCTION CODE QUALIFIER Code giving specific meaning to a party. AG Agent/representative (3196) Party authorized to act on behalf of another party. Only for shipping line CF Terminal operator/lessee The party responsible for the announcement of the arrival of the consignment Terminal operator	M 1 an..3
	C082	PARTY IDENTIFICATION DETAILS Identification of a transaction party by code.	O 1
M	3039	Party identifier Code specifying the identity of a party. EORI number	M an..35
M	1131	Code list identification code Code identifying a user or association maintained code list. EOR Code assigned by EU customs	O an..17
M	3055	Code list responsible agency code Code specifying the agency responsible for a code list. 147 Belgian Customs A code assigned by Belgian	M an..3
X	C058	NAME AND ADDRESS Unstructured name and address: one to five lines.	X 1
	3124	Name and address description Free form description of a name and address line.	X an..35
	3124	Name and address description Free form description of a name and address line.	X an..35
	3124	Name and address description Free form description of a name and address line.	X an..35
	3124	Name and address description Free form description of a name and address line.	X an..35
	3124	Name and address description Free form description of a name and address line.	X an..35
X	C080	PARTY NAME Identification of a transaction party by name, one to five lines. Party name may be formatted.	O 1
	3036	Party name Name of a party.	O an..35
	3036	Party name Name of a party.	X an..35
	3036	Party name Name of a party.	X an..35

		3036 Party name	X	an..35
		Name of a party.		
		3036 Party name	X	an..35
		Name of a party.		
		3045 Party name format code	X	an..3
		Code specifying the representation of a party name. Refer to D.03B Data Element Dictionary for acceptable code values.		
X	C059	STREET	O	1
		Street address and/or PO Box number in a structured address: one to four lines.		
		3042 Street and number or post office box identifier	O	an..35
		To identify a street and number and/or Post Office box number.		
		3042 Street and number or post office box identifier	X	an..35
		To identify a street and number and/or Post Office box number.		
		3042 Street and number or post office box identifier	X	an..35
		To identify a street and number and/or Post Office box number.		
		3042 Street and number or post office box identifier	X	an..35
		To identify a street and number and/or Post Office box number.		
X	3164	CITY NAME	O	1 an..35
		Name of a city.		
X	C819	COUNTRY SUB-ENTITY DETAILS	X	1
		To specify a part of a country (eg county or part of a city).		
		3229 Country sub-entity name code	X	an..9
		Code specifying the name of a country sub-entity.		
		1131 Code list identification code	X	an..17
		Code identifying a user or association maintained code list. Refer to D.03B Data Element Dictionary for acceptable code values.		
		3055 Code list responsible agency code	X	an..3
		Code specifying the agency responsible for a code list. Refer to D.03B Data Element Dictionary for acceptable code values.		
		3228 Country sub-entity name	X	an..70
		Name of a country sub-entity.		
X	3251	POSTAL IDENTIFICATION CODE	O	1 an..17
		Code specifying the postal zone or address.		
X	3207	COUNTRY NAME CODE	O	1 an..3
		Identification of the name of the country or other geographical entity as defined in ISO 3166-1.		

4.4 Segment group 4

Group: CNI Segment Group 4: Consignment Information
Position: 0160
Group:
Level: 1
Usage: Conditional (Required)
Max Use: 99999
Purpose: A group of segments to identify a consignment and status details relating to it.

Segment Summary

	<u>Pos. No.</u>	<u>Seg. ID</u>	<u>Name</u>	<u>Req. Des.</u>	<u>Max. Use</u>	<u>Group: Repeat</u>
M	0170	CNI	Consignment Information	M	1	

4.4.1 Segment CNI

Segment:	CNI Consignment Information		
Position:	0170 (Trigger Segment)		
Group:	Segment Group 4 (Consignment Information)	Conditional	(Required)
Level:	1		
Usage:	Mandatory		
Max Use:	1		
Purpose:	A segment to identify a consignment for which status details are given.		
Dependency Notes:			
Semantic Notes:			
Comments:	The item number (1490) is not a trigger and is no part of the URN given in RFF.		

Data Element Summary

Data Component				Attributes
Element	Element Name			
M	1490	CONSOLIDATION ITEM NUMBER		M 1 n..4
		To specify a consignment within a consolidation. A sequential number starting with 1		
X	C503	DOCUMENT/MESSAGE DETAILS		O 1
		Identification of document/message by number, status, source and/or language.		
	1004	Document identifier		O an..35
		To identify a document.		
	1373	Document status code		X an..3
		Code specifying the status of a document. Refer to D.03B Data Element Dictionary for acceptable code values.		
	1366	Document source description		X an..70
		Free form description of the source of a document.		
	3453	Language name code		X an..3
		Code specifying the language name.		
	1056	Version identifier		X an..9
		To identify a version.		
	1060	Revision identifier		X an..6
		To identify a revision.		
X	1312	CONSIGNMENT LOAD SEQUENCE IDENTIFIER		X 1 n..4
		To identify the loading sequence of a consignment or consignments.		

4.4.2 Segment Group 5

Group: STS Segment Group 5: Status
Position: 0200
Group: Segment Group 4 (Consignment Information) Conditional (Required)
Level: 2
Usage: Mandatory
Max Use: 1
Purpose: A group of segments indicating the status and/or identifying an event and specifying relevant details.

Segment Summary

	<u>Pos. No.</u>	<u>Seg. ID</u>	<u>Name</u>	<u>Req. Des.</u>	<u>Max. Use</u>	<u>Group: Repeat</u>
M	0210	STS	Status	M	1	
M	0220	RFF	Reference	C	999	

4.4.2.1 Segment STS

Segment: STS Status
Position: 0210 (Trigger Segment)
Group: Segment Group 5 (Status) Mandatory
Level: 2
Usage: Mandatory
Max Use: 1
Purpose: A segment specifying the status relating to a consignment (e.g. loaded).

Data Element Summary

	<u>Data Component</u>			<u>Attributes</u>
	<u>Element</u>	<u>Element Name</u>		
M	C601	STATUS CATEGORY	To specify the category of the status.	M 1
M	9015	Status category code	Code specifying the category of a status.	M an..3
		1 Transport	Status type is related to transport.	
X	1131	Code list identification code	Code identifying a user or association maintained code list.	X an..17
X	3055	Code list responsible agency code	Code specifying the agency responsible for a code list.	X an..3
X	C555	STATUS	To specify a status.	M 1
	4405	Status description code	Code specifying a status.	M an..3
	1131	Code list identification code	Code identifying a user or association maintained code list.	M an..17
	3055	Code list responsible agency code		M an..3

			Code specifying the agency responsible for a code list.		
		4404	Status description	X	an..35
			Free form description of a status.		
X	C556		STATUS REASON	X	1
			To specify the reason for a status.		
		9013	Status reason description code	X	an..3
			Code specifying the reason for a status.		
			Refer to D.03B Data Element Dictionary for acceptable code values.		
		1131	Code list identification code	X	an..17
			Code identifying a user or association maintained code list.		
			Refer to D.03B Data Element Dictionary for acceptable code values.		
		3055	Code list responsible agency code	X	an..3
			Code specifying the agency responsible for a code list.		
			Refer to D.03B Data Element Dictionary for acceptable code values.		
		9012	Status reason description	X	an..256
			Free form description of the status reason.		
X	C556		STATUS REASON	X	1
			To specify the reason for a status.		
		9013	Status reason description code	X	an..3
			Code specifying the reason for a status.		
			Refer to D.03B Data Element Dictionary for acceptable code values.		
		1131	Code list identification code	X	an..17
			Code identifying a user or association maintained code list.		
			Refer to D.03B Data Element Dictionary for acceptable code values.		
		3055	Code list responsible agency code	X	an..3
			Code specifying the agency responsible for a code list.		
			Refer to D.03B Data Element Dictionary for acceptable code values.		
		9012	Status reason description	X	an..256
			Free form description of the status reason.		
X	C556		STATUS REASON	X	1
			To specify the reason for a status.		
		9013	Status reason description code	X	an..3
			Code specifying the reason for a status.		
			Refer to D.03B Data Element Dictionary for acceptable code values.		
		1131	Code list identification code	X	an..17
			Code identifying a user or association maintained code list.		
			Refer to D.03B Data Element Dictionary for acceptable code values.		
		3055	Code list responsible agency code	X	an..3
			Code specifying the agency responsible for a code list.		
			Refer to D.03B Data Element Dictionary for acceptable code values.		
		9012	Status reason description	X	an..256
			Free form description of the status reason.		
X	C556		STATUS REASON	X	1
			To specify the reason for a status.		
		9013	Status reason description code	X	an..3
			Code specifying the reason for a status.		
			Refer to D.03B Data Element Dictionary for acceptable code values.		
		1131	Code list identification code	X	an..17
			Code identifying a user or association maintained code list.		
			Refer to D.03B Data Element Dictionary for acceptable code values.		
		3055	Code list responsible agency code	X	an..3

			Code specifying the agency responsible for a code list. Refer to D.03B Data Element Dictionary for acceptable code values.		
		9012	Status reason description	X	an..256
			Free form description of the status reason.		
X	C556		STATUS REASON	X	1
			To specify the reason for a status.		
		9013	Status reason description code	X	an..3
			Code specifying the reason for a status. Refer to D.03B Data Element Dictionary for acceptable code values.		
		1131	Code list identification code	X	an..17
			Code identifying a user or association maintained code list.		
		3055	Code list responsible agency code	X	an..3
			Code specifying the agency responsible for a code list.		
		9012	Status reason description	X	an..256
			Free form description of the status reason.		

4.4.2.2 Segment RFF

Segment: RFF Reference
Position: 0220
Group: Segment Group 5 (Status) Mandatory
Level: 3
Usage: Conditional (Required)
Max Use: 1
Purpose: A segment identifying a reference relating to the status (e.g House Bill of Lading number).

Data Element Summary

		Data Component			
		Element	Element Name	Attributes	
M	C506	REFERENCE	Identification of a reference.	M	1
M	1153	Reference code qualifier	Code qualifying a reference. AAS = Permis number AKR = RoRo unique identification number	M	an..3
	1154	Reference identifier	Identifies a reference. Depending on the qualifier or the permis number or the unique RoRo identification The permis number or RoRo number has to be unique for PLDA.	M	an..35
X	1156	Document line identifier	To identify a line of a document.	X	an..6
X	4000	Reference version identifier	To identify the version of a reference.	X	an..35
X	1060	Revision identifier	To identify a revision.	X	an..6

4.4.2.3 Segment LOC

Segment: LOC location/place
Position: 0310
Group: Segment Group 5 (status) Conditional (Required)
Level: 3
Usage: Mandatory
Max Use: 1
Purpose: A segment identifying the location of the goods.

Comments: If consignment is spread over more then one location. The most representative location has to be given on this level.

Data Element Summary

Data Component			
<u>Element</u>	<u>Element Name</u>	<u>Attributes</u>	
M	3227	LOCATION FUNCTION CODE QUALIFIER Code identifying the function of a location. 88 Place of receipt Identification of the location at which the cargo is actually received.	M 1 an..3
M	C517	LOCATION IDENTIFICATION Identification of a location by code or name.	O 1
M	3225	Location name code Code specifying the name of the location. UN/LOCODE + nationale code	O an..35
M	1131	Code list identification code Code identifying a user or association maintained code list. 139 : berth place	X an..17
M	3055	Code list responsible agency code Code specifying the agency responsible for a code list. 147 : Belgian Customs	O an..3
X	3224	Location name Name of the location.	X an..256
X	C519	RELATED LOCATION ONE IDENTIFICATION Identification the first related location by code or name.	O 1
	3223	First related location name code Code specifying first related location.	O an..25
	1131	Code list identification code Code identifying a user or association maintained code list.	O an..17
	3055	Code list responsible agency code Code specifying the agency responsible for a code list.	O an..3
	3222	First related location name Name of first related location.	X an..70
X	C553	RELATED LOCATION TWO IDENTIFICATION Identification of second related location by code or name.	X 1
	3233	Second related location name code Code specifying the second related location.	X an..25
	1131	Code list identification code Code identifying a user or association maintained code list. Refer to D.03B Data Element Dictionary for acceptable code values.	X an..17
	3055	Code list responsible agency code	X an..3

Code specifying the agency responsible for a code list.
 Refer to D.03B Data Element Dictionary for acceptable code values.

		3232	Second related location name	X	an..70
			Name of the second related location.		
X	5479		RELATION CODE	X	1 an..3
			Code specifying a relation.		

4.4.2.4 Segment Group 14

Group: GID Segment Group 14: Goods Item Details
Position: 0570
Group: Segment Group 5 (Status) Mandatory
Level: 3
Usage: Conditional (Required)
Max Use: 99
Purpose: A group of segments describing the goods item related to the status or event.

Segment Summary

	<u>Pos. No.</u>	<u>Seg. ID</u>	<u>Name</u>	<u>Req. Des.</u>	<u>Max. Use</u>	<u>Group: Repeat</u>
M	0580	GID	Goods Item Details	M	1	
	0600	SGP	Equipment Identifier			
	0610	DGS	Dangerous Goods	C	9	
	0620	FTX	Free Text	C	9	
	0630	GDS	Nature of Cargo	C	9	
	0640	LOC	Place/Location Identification	C	9	
	0660		Segment Group 15: Measurements	C		99
	0690		Segment Group 16: Dimensions	C		99
	0720		Segment Group 17: Package Identification	C		99
M	0750		Segment Group 18: Reference	C		99

4.4.2.4.1 Segment GID

Segment: GID Goods Item Details
Position: 0580 (Trigger Segment)
Group: Segment Group 14 (Goods Item Details) Conditional (Required)
Level: 3
Usage: Mandatory
Max Use: 1
Purpose: A segment identifying a goods item.

Notes: Customs will only use one level of packaging (first occurrence of C213). But its free to send more information in next C213 limited to an occurs of two.. In total 3 levels of packaging possible.

Data Element Summary

	<u>Data Component</u>			<u>Attributes</u>
	<u>Element</u>	<u>Element Name</u>		
M	1496	GOODS ITEM NUMBER		M 1 n..5
		To specify a goods item within a consignment. Sequential number starting from 1		
X	C213	NUMBER AND TYPE OF PACKAGES		M 1

X		7224	Number and type of individual parts of a shipment. Package quantity	O	n..8
X		7065	To specify the number of packages. Package type description code	O	an..17
X		1131	Code specifying the type of package. Code list identification code	O	an..17
X		3055	Code identifying a user or association maintained code list. Code list responsible agency code	X	an..3
X		7064	Code specifying the agency responsible for a code list. Type of packages	X	an..35
X		7233	Description of the form in which goods are presented. Packaging related description code	X	an..3
X	C213		Code specifying information related to packaging. NUMBER AND TYPE OF PACKAGES	O	1
X		7224	Number and type of individual parts of a shipment. Package quantity	O	n..8
X		7065	To specify the number of packages. Package type description code	O	an..17
X		1131	Code specifying the type of package. Code list identification code	O	an..17
X		3055	Code identifying a user or association maintained code list. Code list responsible agency code	X	an..3
X		7064	Code specifying the agency responsible for a code list. Type of packages	X	an..35
X		7233	Description of the form in which goods are presented. Packaging related description code	X	an..3
X	C213		Code specifying information related to packaging. NUMBER AND TYPE OF PACKAGES	O	1
X		7224	Number and type of individual parts of a shipment. Package quantity	O	n..8
X		7065	To specify the number of packages. Package type description code	O	an..17
X		1131	Code specifying the type of package. Code list identification code	O	an..17
X		3055	Code identifying a user or association maintained code list. Code list responsible agency code	X	an..3
X		7064	Code specifying the agency responsible for a code list. Refer to D.03B Data Element Dictionary for acceptable code values. Type of packages	X	an..35
X		7233	Description of the form in which goods are presented. Packaging related description code	X	an..3
X	C213		Code specifying information related to packaging. Refer to D.03B Data Element Dictionary for acceptable code values. NUMBER AND TYPE OF PACKAGES	X	1
X		7224	Number and type of individual parts of a shipment. Package quantity	X	n..8
X		7065	To specify the number of packages. Package type description code	X	an..17
X		1131	Code specifying the type of package. Code list identification code	X	an..17
X			Code identifying a user or association maintained code list.		

X			Refer to D.03B Data Element Dictionary for acceptable code values.		
	3055	Code list responsible agency code		X	an..3
			Code specifying the agency responsible for a code list.		
X			Refer to D.03B Data Element Dictionary for acceptable code values.		
	7064	Type of packages		X	an..35
			Description of the form in which goods are presented.		
X			Refer to D.03B Data Element Dictionary for acceptable code values.		
	7233	Packaging related description code		X	an..3
			Code specifying information related to packaging.		
	C213	NUMBER AND TYPE OF PACKAGES		X	1
			Number and type of individual parts of a shipment.		
X			Refer to D.03B Data Element Dictionary for acceptable code values.		
	7224	Package quantity		X	n..8
			To specify the number of packages.		
X			Refer to D.03B Data Element Dictionary for acceptable code values.		
	7065	Package type description code		X	an..17
			Code specifying the type of package.		
X			Refer to D.03B Data Element Dictionary for acceptable code values.		
	1131	Code list identification code		X	an..17
			Code identifying a user or association maintained code list.		
X			Refer to D.03B Data Element Dictionary for acceptable code values.		
	3055	Code list responsible agency code		X	an..3
			Code specifying the agency responsible for a code list.		
X			Refer to D.03B Data Element Dictionary for acceptable code values.		
	7064	Type of packages		X	an..35
			Description of the form in which goods are presented.		
X			Refer to D.03B Data Element Dictionary for acceptable code values.		
	7233	Packaging related description code		X	an..3
			Code specifying information related to packaging.		
			Refer to D.03B Data Element Dictionary for acceptable code values.		

4.4.2.4.2 Segment FTX

Segment: FTX Free Text
Position: 0620
Group: Segment Group 14 (Goods Item Details) Conditional (optional)
Level: 4
Usage: Conditional (Required)
Max Use: 9
Purpose: A segment to describe the goods item, and to provide additional free text information related to the goods item.

Comments: This segment is conditional. It has to be present when chassis number has to be provided.

Data Element Summary

Data Component					Attributes
	<u>Element</u>	<u>Element Name</u>			
M	4451	TEXT SUBJECT CODE QUALIFIER		M	1 an..3
		Code qualifying the subject of the text.			
		MKS Chassis number			
M	4453	FREE TEXT FUNCTION CODE		X	1 an..3
		Code specifying the function of free text.			
		Refer to D.03B Data Element Dictionary for acceptable code values.			
	C107	TEXT REFERENCE		O	1

X		4441	Free text description code	M	an..17
			Coded reference to a standard text and its source.		
		1131	Code list identification code	O	an..17
			Code specifying free form text.		
		3055	Code list responsible agency code	O	an..3
			Code identifying a user or association maintained code list.		
X	C108		TEXT LITERAL	M	1
			Free text; one to five lines.		
M		4440	Free text	M	an..512
			Free form text.		
			If MKS the number of the chassis (max length = 35)		
X		4440	Free text	O	an..512
			Free form text.		
			If AAA description of the goods		
			If MKS the number of the chassis		
X		4440	Free text	O	an..512
			Free form text.		
X		4440	Free text	O	an..512
			Free form text.		
X		4440	Free text	O	an..512
			Free form text.		
X	3453		LANGUAGE NAME CODE	X	1 an..3
			Code specifying the language name.		
X	4447		FREE TEXT FORMAT CODE	C	1 an..3
			Code specifying the format of free text.		

4.4.2.4.4 Segment group 18

Group: RFF Segment Group 18: Reference
Position: 0750
Group:
Level: 1
Usage: Conditional (Optional)
Max Use: 99
Purpose: To give additional references (MRN's).

Segment Summary

	<u>Pos. No.</u>	<u>Seg. ID</u>	<u>Name</u>	<u>Req. Des.</u>	<u>Max. Use</u>	<u>Group: Repeat</u>
M	0110	RFF	Reference	M	1	

4.4.2.4.4.1 Segment RFF

Segment: RFF Reference
Position: 0760 (Trigger Segment)
Group: Segment Group 18 (Reference) Conditional (Optional)
Level: 1
Usage: Mandatory
Max Use: 1

Purpose: A segment identifying a reference which applies to the Item level.

Data Element Summary

Data Component					
<u>Element</u>	<u>Element</u>	<u>Name</u>		<u>Attributes</u>	
M	C506	REFERENCE	Identification of a reference.	M	1
M	1153	Reference code qualifier	Code qualifying a reference.	M	an..3
		ABT	Customs export declaration number (PLDA + ECS)		
		XTR	Customs Transit declaration (NCTS) - destination = BE		
		XTT			
		XSE	Customs Transit declaration (NCTS) – destination Transit		
		XAG	Manual SAD export declaration		
		XT5	AGD declaration (excise)		
		XSP	T5		
		XMA	Railway waybill		
		AIO	Other non SAD declarations		
			Transshipment number		
	1154	Reference identifier	Identifies a reference.	O	an..35
			Number of the MRN		
X	1156	Document line identifier	To identify a line of a document.	X	an..6
X	4000	Reference version identifier	To identify the version of a reference.	X	an..35
X	1060	Revision identifier	To identify a revision.	X	an..6

4.3 Segment UNT

Segment: UNT Message Trailer
Position: 0780
Group:
Level: 0
Usage: Mandatory
Max Use: 1
Purpose: A service segment ending a message, giving the total number of segments in the message (including the UNH & UNT) and the control reference number of the message.

Data Element Summary

Data Component					
<u>Element</u>	<u>Element</u>	<u>Name</u>		<u>Attributes</u>	

M	0074	NUMBER OF SEGMENTS IN A MESSAGE Control count of number of segments in a message.	M	1 n..6
M	0062	MESSAGE REFERENCE NUMBER Unique message reference assigned by the sender.	M	1 an..14

4 Example

Message minimum :

```

UNB+UNOC:3+100000+DOUANE+081106:0923+000444++'
UNH+000444+IFTSTA:D:03B:UN:MINFIN'
BGM+185+000444+9'
DTM+141:200905151400:203'
NAD+AG+KBOnummer/Numéro BCE:KBO:147'
CNI+1'
STS+1'
RFF+AAS:M444/ANT'
LOC+88+BEANR:139:6:ANTWERPEN+472:147'
GID+00001+1:1A'
RFF+ABT:09BEE0000000419268'
UNT+10+000444'
UNZ+1+000444'

```